

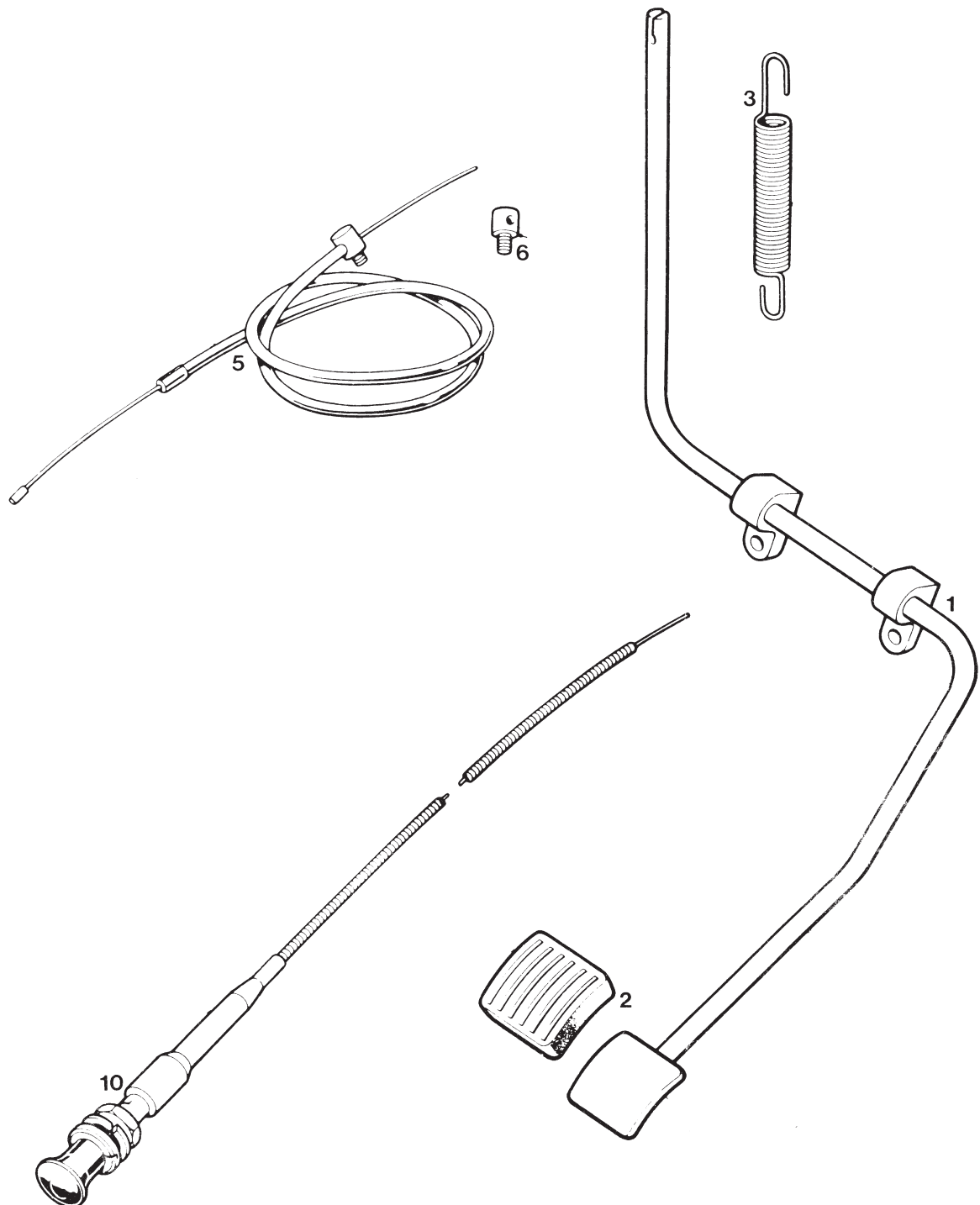
# Controls

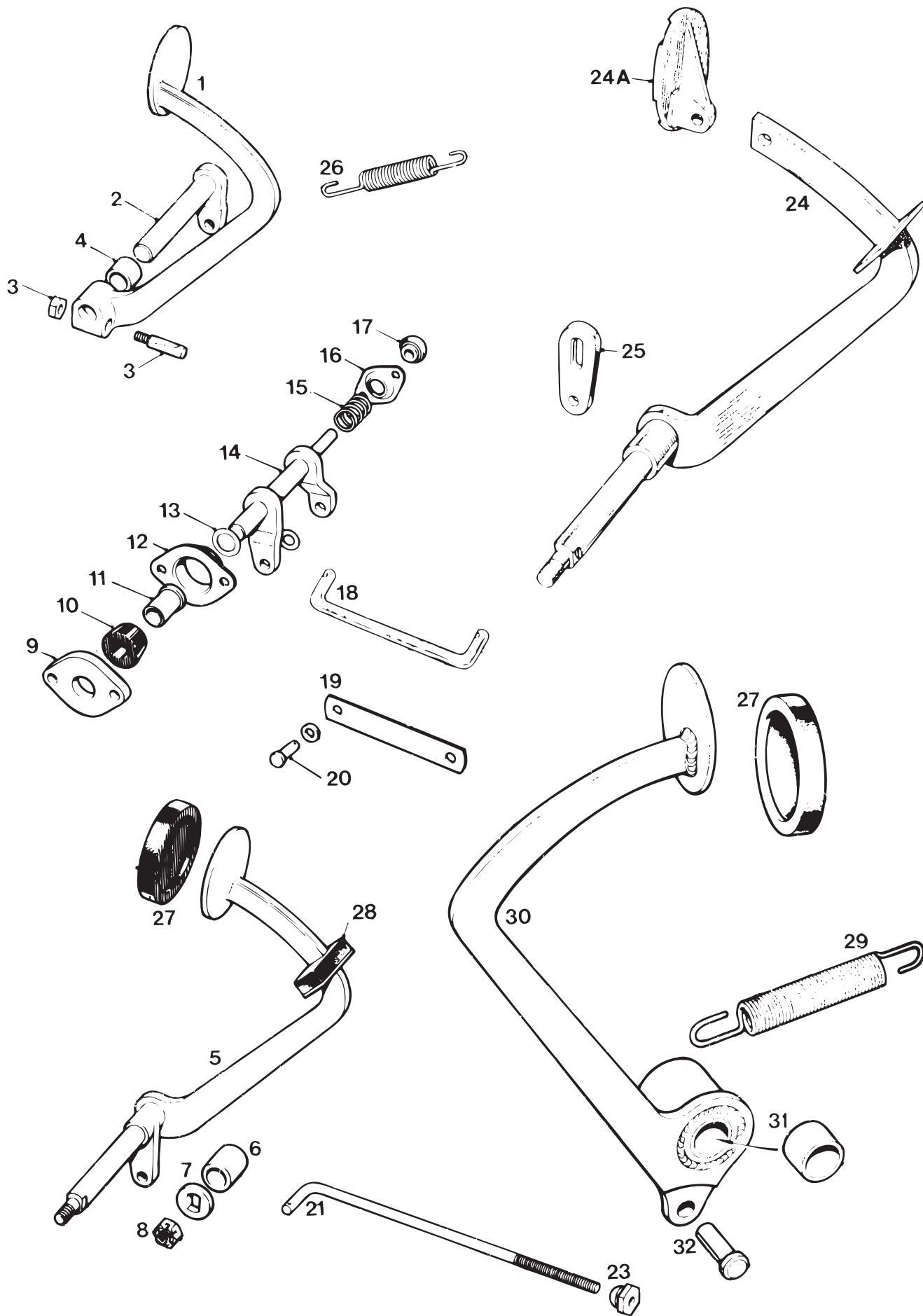
# 7

Engine  
Clutch  
Gearbox  
Brakes

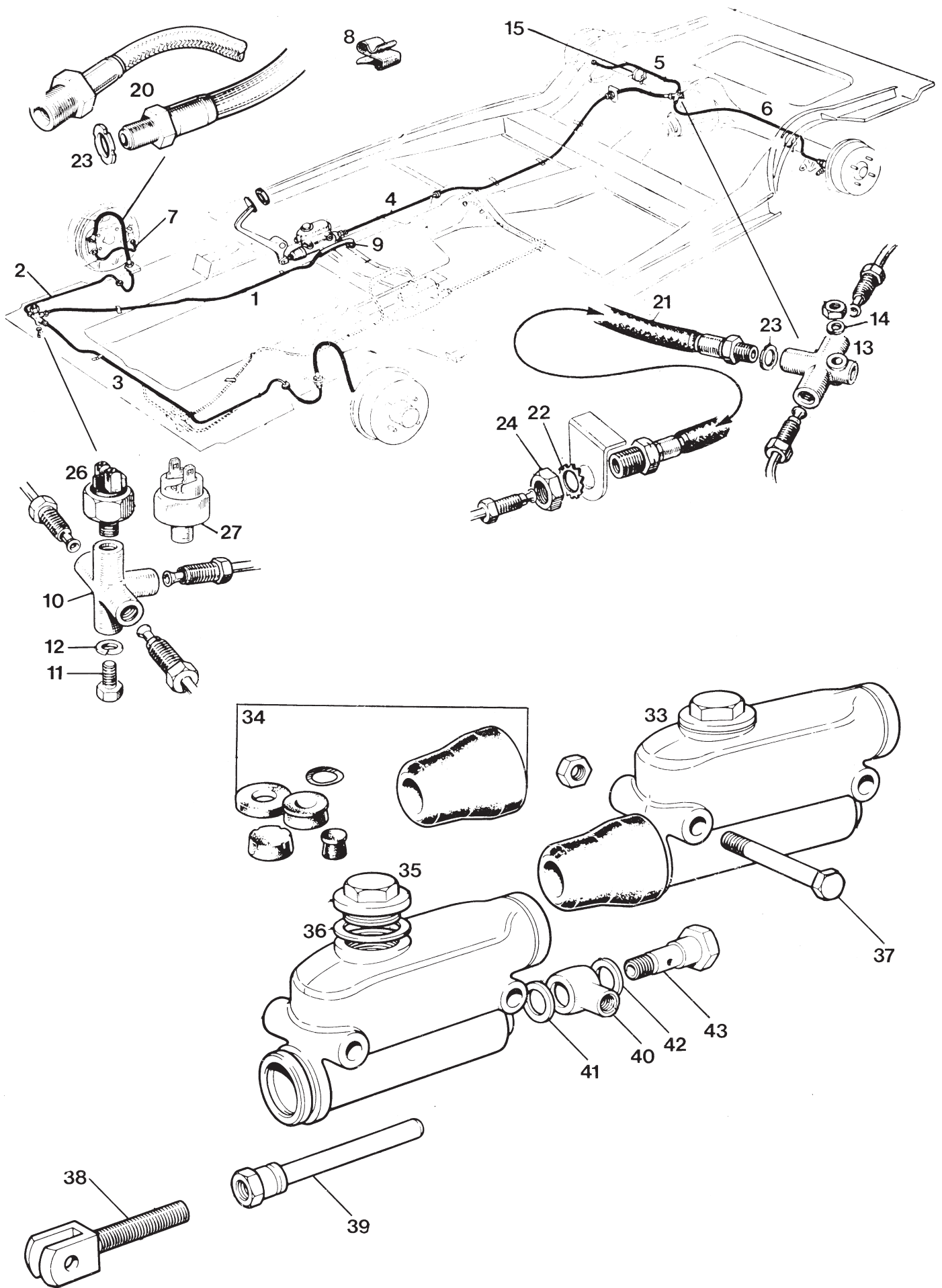
Blank

Part Number	ESM Order Ref.	Illus. No.	Description	Remarks
<b>Accelerator pedal, mixture controls, etc.</b>				
ACP101	ACP101	1	Pedal - accelerator - RHD	
-	ACP101L	-	Pedal - accelerator - LHD	
ACP102	FUL135	2	Rubber - pedal	
ACP103	FUL137	3	Spring - throttle return	
ACP105	FUL134	5	Cable - throttle	
ACP107	ACP107	6	Barrel - 'T'	
ACP108	ACP108	7	Pin - carburettor lever	
ACP109	FIX137	8	Nut - 1/4" UNF	
ACP111	ACP111	10	Control - mixture (choke) - black knob	64-71 key start
-	ACP112	10	Control - mixture (choke) - black knob	56-63 pull start
-	ACP113	10	Control - mixture (choke) - brown knob	48-56 pull start
-	FUL134H	-	Guide - throttle cable - through bulkhead	





Part Number	ESM Order Ref.	Illus. No.	Description	Remarks
<b>803cc and early 948cc</b>				
-	Use COM105	1	Pedal - clutch	
-	Use COM105	2	Shaft - with lever	
COM103	COM103SH	3	Cotter - including nut and spring washer	
COM104	COM104	4	Bush	
<b>Late 948cc and 1098cc</b>				
COM105	COM105	5	Pedal - clutch	
COM106	COM106	6	Spacer - clutch pedal	
COM107	COM107	7	Washer - locating	
COM108	FIX141	8	Nut - castle - 3/8" BSF	
<b>All models except where otherwise shown</b>				
COM109	COM109	9	Packing piece - RHD only	
COM110	COM110	10	Bush - bracket - rubber	
COM110P	COM110A	10	Bush - bracket - polyurethane	
COM111	COM111	11	Bush - relay shaft	
COM112	COM112	12	Bracket	
COM113	COM113	13	Washer - fibre - 1/2" I/D	
COM114	Use COM115	14	Relay shaft - 803cc and 948cc	
COM115	COM115	14	Relay shaft - 1098cc	
COM116	COM116	15	Spring - relay shaft	
COM117	COM117	16	Retainer - bearing	
COM118	COM118	17	Bush - spherical	
COM119	COM119	18	Rod - pedal to relay	
COM120	COM120	19	Plate - pedal to relay	
COM121	COM121	20	Clevis pin	
COM122	Use COM123/5	21	Rod - relay - 803cc and 948cc	
COM123	COM123	21	Rod - relay - 1098cc	
COM124	COM124	22	Washer - wavy - 5/16" I/D	
COM125	COM125	23	Nut for COM123	
COM126	FIX139	-	Nut - lock	
COM127	COM127	24	Pedal - clutch - LHD	
-	COM127A	24A	Pad - clutch pedal - LHD	
COM128	COM128	25	Lever - LHD clutch pedal	
COM130	COM130	26	Spring - clutch pedal return	
COM131	COM131	27	Pedal rubber - clutch and brake	
-	COM135	-	Pedal rubber - clutch and brake - "M"	
COM132	COM132	28	Pad - pedal sealing	
CBS129	CBS149	29	Spring - brake pedal return	
CBS130	CBS130	30	Pedal - brake	
COM104	COM104	31	Bush	
CBS132	CBS147	32	Pin - clevis - brake pedal to yoke	



Part Number	esm Order Ref.	Illus. No.	Description	Remarks
CBS101	CBS101	1	Pipe - master cylinder to 3 way front	
HG68	CBS101	-	Pipe - master cylinder to 3 way front - LHD	
CBS102	CBS102	2	Pipe - 22"	
CBS103	CBS103	3	Pipe - 3 way to L/H front	
CBS104	CBS104	4	Pipe - master cylinder to rear hose	
CBS102	CBS102	5	Pipe - 22"	
CBS106	CBS106	6	Pipe - hose to L/H rear	
CBS107	CBS107	7	Pipe - bridge - UNF - late 803cc, 948/1098cc	
CBS107A	CBS107A	7	Pipe - bridge - BSF - Series MM and early 803cc	
CBS108	CBS108	-	Clip - pipe to chassis leg	
CBS110	CBS110	10	3 way piece - front	
CBS111	RAD115	11	Screw - 3 way piece - 5/16" BSF x 1/2"	
CBS112	FIX157	12	Washer - spring - 5/16"	
CBS113	CBS113	13	3 way piece for rear axle	
CBS116	CBS116	-	Grommet for brake pipe (through tie plate)	
CBS120	CBS120	20/21	Hose - Series MM and early 803cc	
CBS122	CBS122	20/21	Hose - late 803cc, 948cc and 1098cc	
CBS123	CBS123	22	Star washer	
RBK122	RBK122	23	Copper washer	
CBS125	CBS125	24	Locknut - 15/16"	
CBS127	CBS127	26	Switch - stop light - screw terminal	
CBS128	CBS128	27	Switch - stop light - Lucar connectors	
CBS133	CBS133	33	Master cylinder assembly - 803/ 948cc - 7/8" bore	
CBS144	CBS144	33	Master cylinder assembly - 1098cc - 13/16" bore	
CBS134	CBS146	34	Kit - master cylinder repair (suits CBS133)	
CBS145	CBS145	34	Kit - master cylinder repair (suits CBS144)	
CBS135	CBS135	35	Plug - filler	
CBS136	CBS136	36	Gasket - filler plug	
CBS137	CBS137	37	Bolt - master cylinder fixing	
CBS138	CBS138	38	Yoke - push rod	
CBS139	CBS139	39	Rod - push - piston	
CBS140	CBS140	40	Connection - banjo	
RBK122	RBK122	41	Copper washer - small	
RBK121	RBK121	42	Copper washer - large	
RBK120	RBK120	43	Bolt - banjo connection	

Part Number	ESM Order Ref.	Illus. No.	Description	Remarks
HBK101	HBK101SH	1	Lever assembly - handbrake	
HBK102	HBK102SH	2	Lever	
HBK103	HBK203	3	Knob release - nylon	
-	HBK204	3	Knob - release - chrome	
HBK104	HBK104	4	Washer - anti-rattle (felt)	
HBK105	HBK105SH	5	Spring	
HBK106	HBK106	6	Washer - plain	
HBK107	HBK107SH	7	Rod - release	
HBK108	HBK108	8	Pawl	
HBK109	-	9	Rivet	
HBK110	-	10	Rivet - lever pawl pivot	
HBK111	HBK111	11	Pin - fulcrum	
HBK112	HBK112	12	Washer - fulcrum pin	
HBK113	HBK113SH	13	Ratchet	
HBK114	HBK114SH	14	Trunnion - lever	
HBK115	HBK115SH	15	Washer - self-fixing - trunnion	
HBK116	HBK116	16	Washer - trunnion	
HBK117	FIX131A	17	Bolt - 5/16 BSF x 1"	
HBK118	FIX131A	18	Bolt - 5/16 BSF x 1"	
HBK119	HBK119	19	Cable - handbrake - Saloon and Traveller	
ACA5429	HBK201	19	Cable - handbrake - Van and Pick Up	
HBK120	HBK120	20	Nut - adjusting	
HBK121	HBK121	21	Spring - adjusting	
HBK123	HBK202	23	Clevis pin and split pin - cable to cylinder	
HBK150	HBK150	24	Guide - cable through floor - Van and Pick Up	
HBK151	HBK151	-	Guide - cable through floor - Saloon and Traveller	

