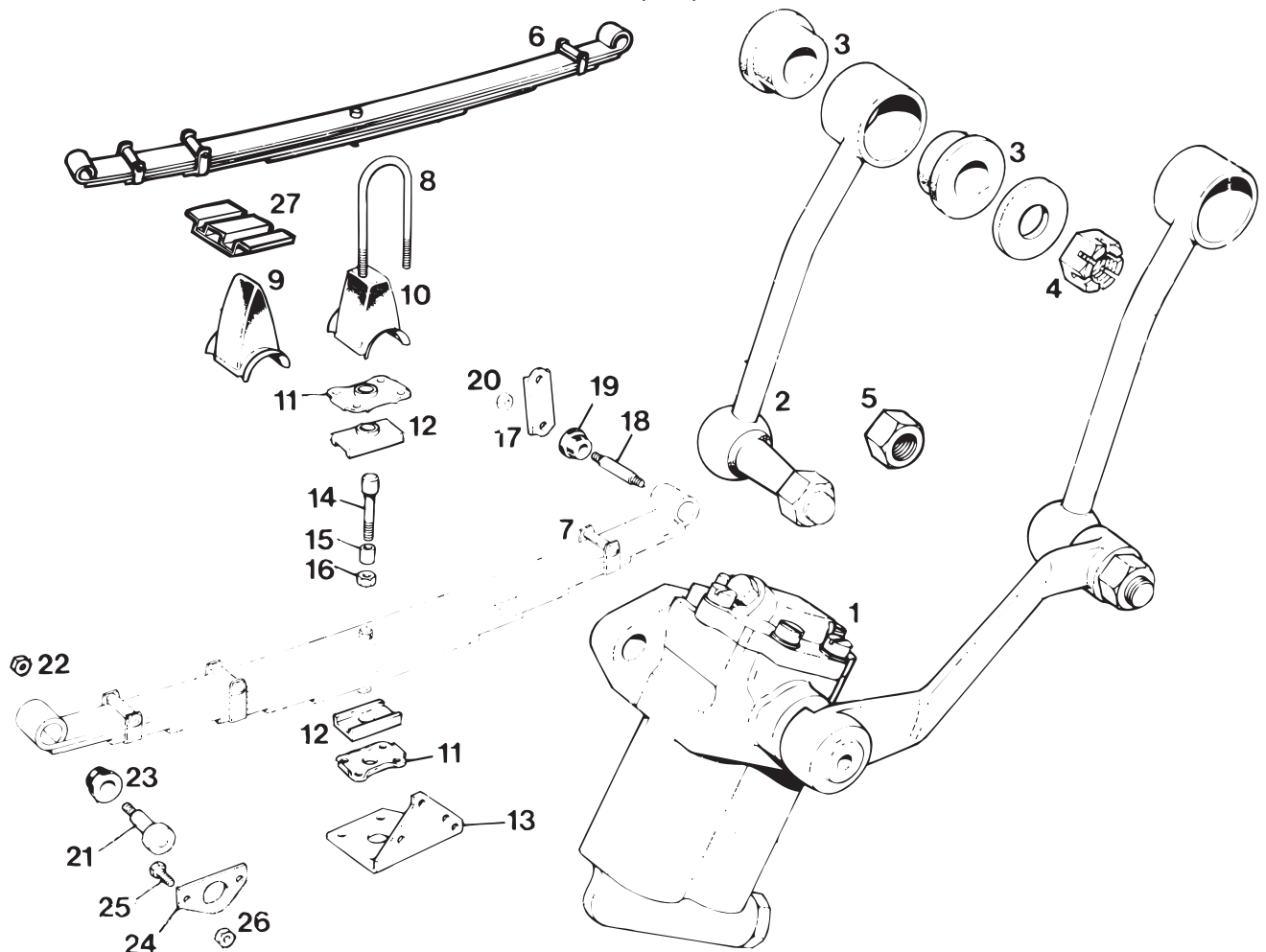


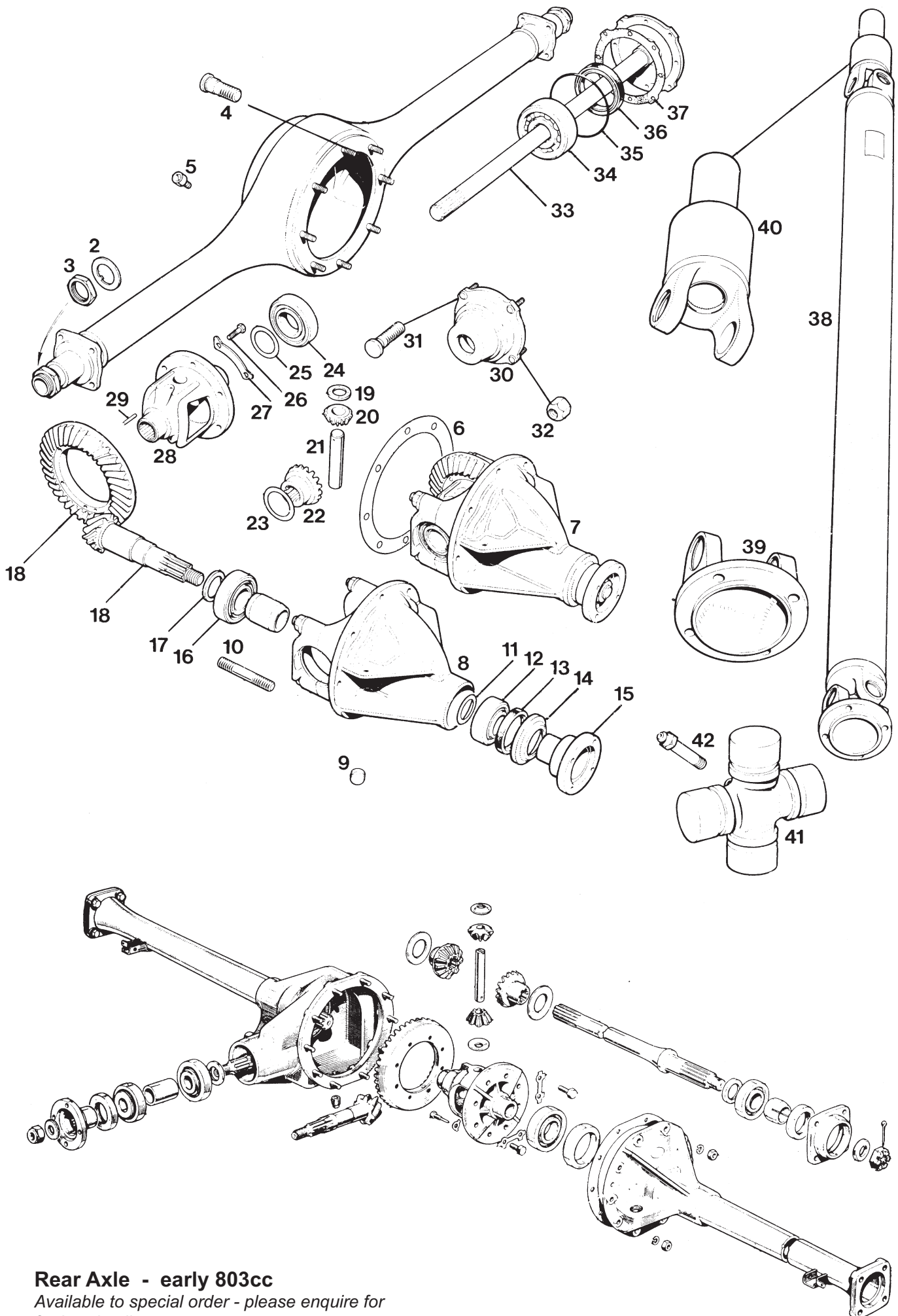
**Propeller shaft
Rear axle and
suspension**

6

Blank

Part Number	ESM Order Ref.	Illus. No.	Description	Remarks
Rear suspension				
SUS700	SUS700	1	Absorber shock - R/H - reconditioned	
SUS701	SUS701	-	Absorber shock - L/H - reconditioned	
SUS700N	SUS700N	1	Absorber shock - R/H - new	
SUS701N	SUS701N	-	Absorber shock - L/H - new	
-	SUS700U	1	Absorber shock - R/H - new - uprated 25%	
-	SUS701U	-	Absorber shock - L/H - new - uprated 25%	
SUS702	SUS702	2	Link - shock absorber	
SUS703	SUS703	3	Bush - shock absorber link - rubber	
SUS703P	SUS703A	3	Bush - shock absorber link - polyurethane	
SUS704	FIX141	4	Nut - castle - 3/8" BSF - link to frame	
SUS705	FIX132	5	Nut - 3/8" BSF - link to arm	
SUS706	SUS706	6	Spring - 5 leaf - Saloon and Convertible	
SUS707	SUS707	7	Spring - 7 leaf - Traveller	
SUS708	SUS708	8	'U' bolt - 5 leaf spring	
SUS709	SUS709	8	'U' bolt - 7 leaf spring	
-	USE SUS710	9	Buffer - earlier type	
SUS710	SUS710	10	Buffer	
SUS711	SUS711	11	Plate - locating	
SUS712	SUS712	12	Pad - seating - rubber	
SUS713	SUS713	13	Bracket - shock absorber - R/H	
SUS714	SUS714	-	Bracket - shock absorber - L/H	
SUS718	SUS718	17	Plate - rear shackle	
SUS105	SUS719	18	Pin - rear shackle	
SUS720P	SUS720A	19	Bush - rear pin - upper - polyurethane	
SUS104	SUS720	19	Bush - rear pin - upper	
SUS721	FIX132	20	Nut - 3/8" BSF	
SUS722	SUS722	21	Pin - front shackle	
SUS158	FIX140	22	Nut - 3/8" UNF	
SUS723	SUS723	24	Plate - front bracket	
SUS724	FIX130A	25	Bolt - 1/4" BSF x 3/4"	
SUS725	FIX130	26	Nut - 1/4" BSF	
CHS761	RP137A	27	Plate - rear bump stop	





Rear Axle - early 803cc

Available to special order - please enquire for further details

Part Number	ESM Order Ref.	Illus. No.	Description	Remarks
Rear axle and propeller shaft				
DIF101	DIF101	1	Case assembly - axle	
DIF102	DIF102	2	Washer - lock	
DIF103	DIF103	3	Nut - bearing retaining - right hand thread	
DIF104	DIF104	-	Nut - bearing retaining - left hand thread	
DIF105	DIF105	4	Stud	
DIF106	DIF106	5	Breather	
DIF107	DIF107	6	Gasket - axle case to differential	
DIF108	DIF108	7	Differential - 4.55:1 ratio - 9 x 41 teeth	948 cc
DIF109	DIF109	7	Differential - 4.22:1 ratio - 9 x 38 teeth	1098 cc
DIF110	DIF110SH	8	Carrier assembly (for use with DIF108)	
DIF111	DIF111SH	8	Carrier assembly (for use with DIF109)	
DIF112	DIF112	9	Plug - oil filler and drain	
DIF113	DIF113	10	Stud - bearing cap	
DIF114	DIF114SH	11	Shim - outer bearing - 0.003" (0.076mm)	
DIF115	DIF115SH	11	Shim - outer bearing - 0.005" (0.127mm)	
DIF116	DIF116	11	Shim - outer bearing - 0.010" (0.254mm)	
DIF117	DIF117	11	Shim - outer bearing - 0.020" (0.508mm)	
DIF118A	DIF118A	12	Bearing - pinion outer (for use with DIF108)	
DIF118	DIF118	12	Bearing - pinion outer (for use with DIF109)	
DIF119	DIF119	13	Seal - oil - pinion bearing	
DIF120	DIF120SH	14	Cover - dust	
DIF121	DIF121	15	Flange - universal joint	
DIF122A	DIF122A	16	Bearing - pinion inner (for use with DIF108)	
DIF122	DIF122	16	Bearing - pinion inner (for use with DIF109)	
DIF123	DIF123SH	17	Washer - pinion - thrust - 0.118" (2.997mm)	
DIF124	DIF124SH	17	Washer - pinion - thrust - 0.120" (3.048mm)	
DIF125	DIF125SH	17	Washer - pinion - thrust - 0.122" (3.099mm)	
DIF126	DIF126SH	17	Washer - pinion - thrust - 0.126" (3.200mm)	
DIF127	DIF127SH	17	Washer - pinion - thrust - 0.128" (3.251mm)	
DIF128	DIF128SH	17	Washer - pinion - thrust - 0.130" (3.302mm)	
DIF129	DIF129SH	18	Crown wheel and pinion - 4.55:1 ratio	
DIF130	DIF109A	18	Crown wheel and pinion - 4.22:1 ratio	
DIF131	DIF131	19	Washer - thrust - pinion - 0.035"	
DIF131A	DIF131A	19	Washer - thrust - pinion - 0.054"	
DIF132	DIF132	20	Pinion - differential (planet gear)	
DIF133	DIF133	21	Pin - pinion	
DIF134	DIF134	22	Wheel - differential (sun gear)	
DIF135	DIF135	23	Washer - thrust - differential wheel	
DIF136	DIF136	24	Bearing - differential	
DIF137	DIF137	25	Washer - packing - 0.002" (0.051mm)	
DIF138	DIF138	25	Washer - packing - 0.003" (0.076mm)	
DIF139	DIF139	25	Washer - packing - 0.004" (0.102mm)	
DIF140	DIF140SH	25	Washer - packing - 0.010" (0.254mm)	
DIF141	DIF141	26	Bolt - crown wheel to differential cage	
DIF142	DIF142	27	Washer - tab	
DIF143	DIF143	28	Cage - differential	
DIF144	DIF144SH	29	Peg - pinion pin	
DIF145	DIF145SH	30	Hub assembly	
2A7089	SUS175A	31	Stud - wheel	
SUS176	SUS176	32	Nut - UNF - wheel stud	
DIF146	DIF146	33	Half shaft	
DIF147	DIF147	34	Bearing - hub	
DIF148	DIF148	35	Ring - oil seal - rubber	
DIF149	DIF149	36	Oil seal - hub	
DIF150	DIF150	37	Gasket - axle shaft	
DIF156	DIF156	-	Kit - wheel bearing	
DIF151	DIF151	38	Propeller shaft assembly	
DIF152	DIF152	39	Flange - yoke	
DIF153	DIF153SH	40	Sleeve - yoke	
DIF154	DIF154	41	Universal joint	
DIF155	DIF155	42	Grease nipple	
DIF156	DIF156	-	Rear wheel bearing kit	
DIF157	DIF157	-	Nut - 3/4" UNF - pinion flange	
DIF158	DIF158	-	Spring washer - 3/4" - pinion flange nut	

Part Number	ESM Order Ref.	Illus. No.	Description	Remarks
Rear brakes				
RBK101	RBK101	1	Plate - brake - R/H	
RBK102	RBK102	-	Plate - brake - L/H	
RBK103	RBK103	2	Brake shoe assembly	
RBK105	RBK105	3	Wheel cylinder - 803/948cc - 7/8" bore	
RBK106	RBK106	3	Wheel cylinder -1098cc - Lockheed - 3/4" bore	
RBK106Z	RBK106A	3	Wheel cylinder -1098cc - non genuine	
RBK107	RBK130	4	Kit - repair - wheel cylinder - for RBK105	
RBK108	RBK108	4	Kit - repair - wheel cylinder - for RBK106	
33743	RBK131	-	Rubber boot (dust cover) for rear cylinder	
RBK109	RBK109	5	Spring - tension	
RBK110	RBK110	6	Spring -pull off	
RBK111	RBK111	7	Spring - steady	
RBK113	RBK113	8	Adjuster	
RBK114	RBK114	9	Mask - adjuster	
FBK124	RBK115	10	Drum - brake	
RBK116	RBK116	-	Screw - drum to hub	
RBK117	RBK117	11	Seal - dust	
RBK118	CBS175	12	Screw - bleed	
RBK119	RBK119	13	Connection - banjo	
RBK120	RBK120	14	Bolt - banjo connection	
RBK121	RBK121	15	Copper washer - large - 7/16" I/D	
RBK122	RBK122	16	Copper washer - small - 3/8" I/D	

