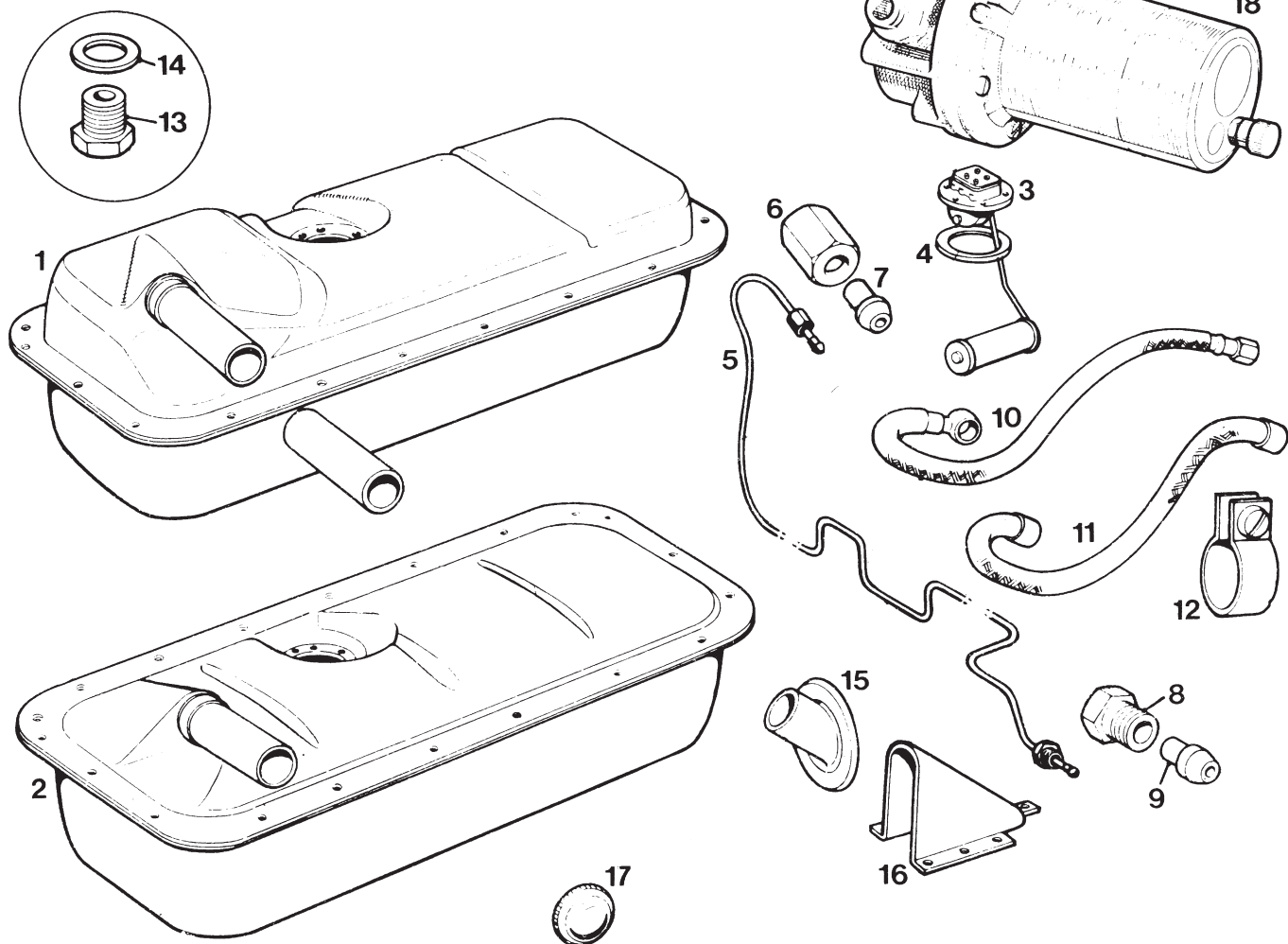


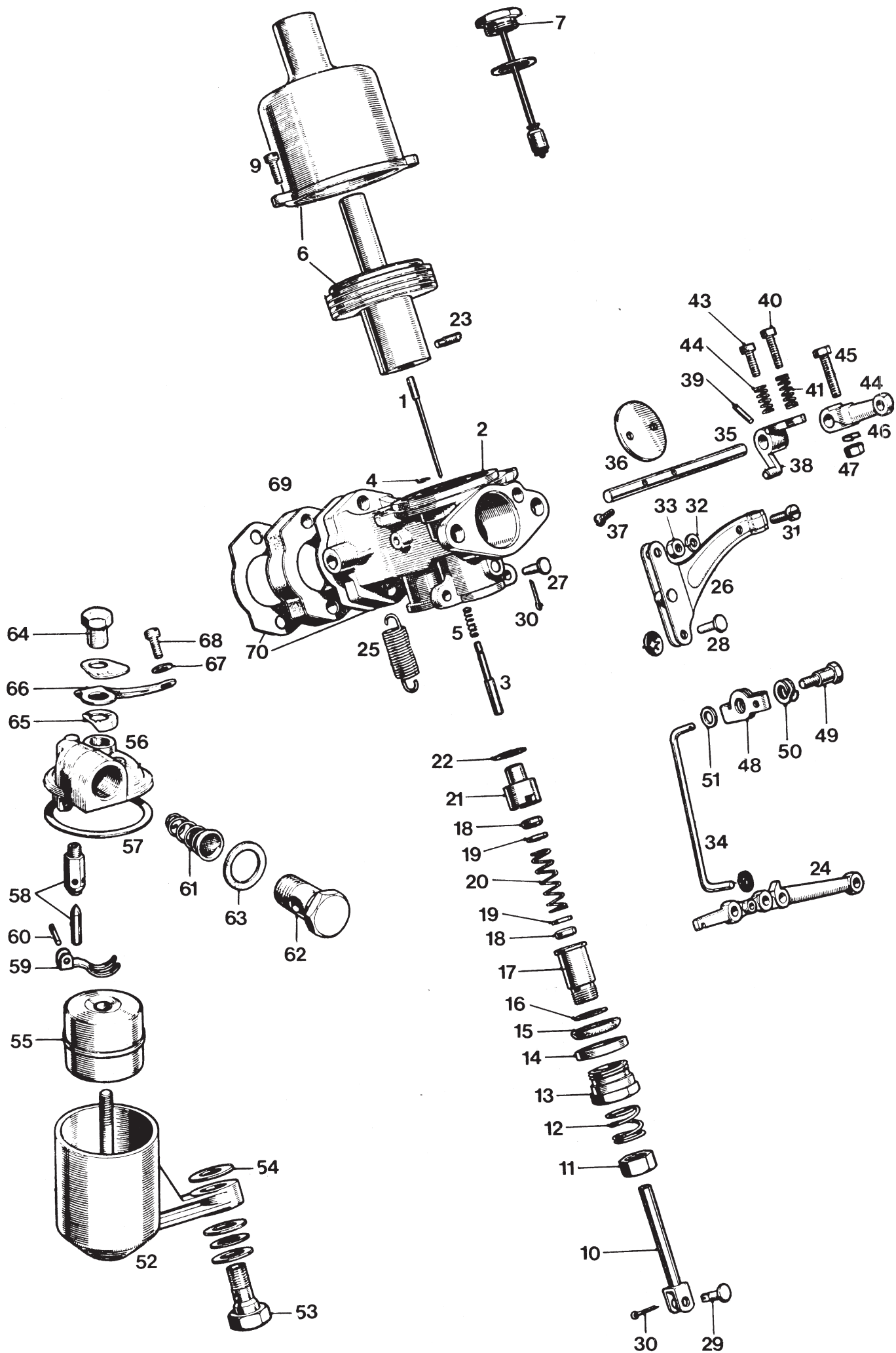
Fuel and exhaust



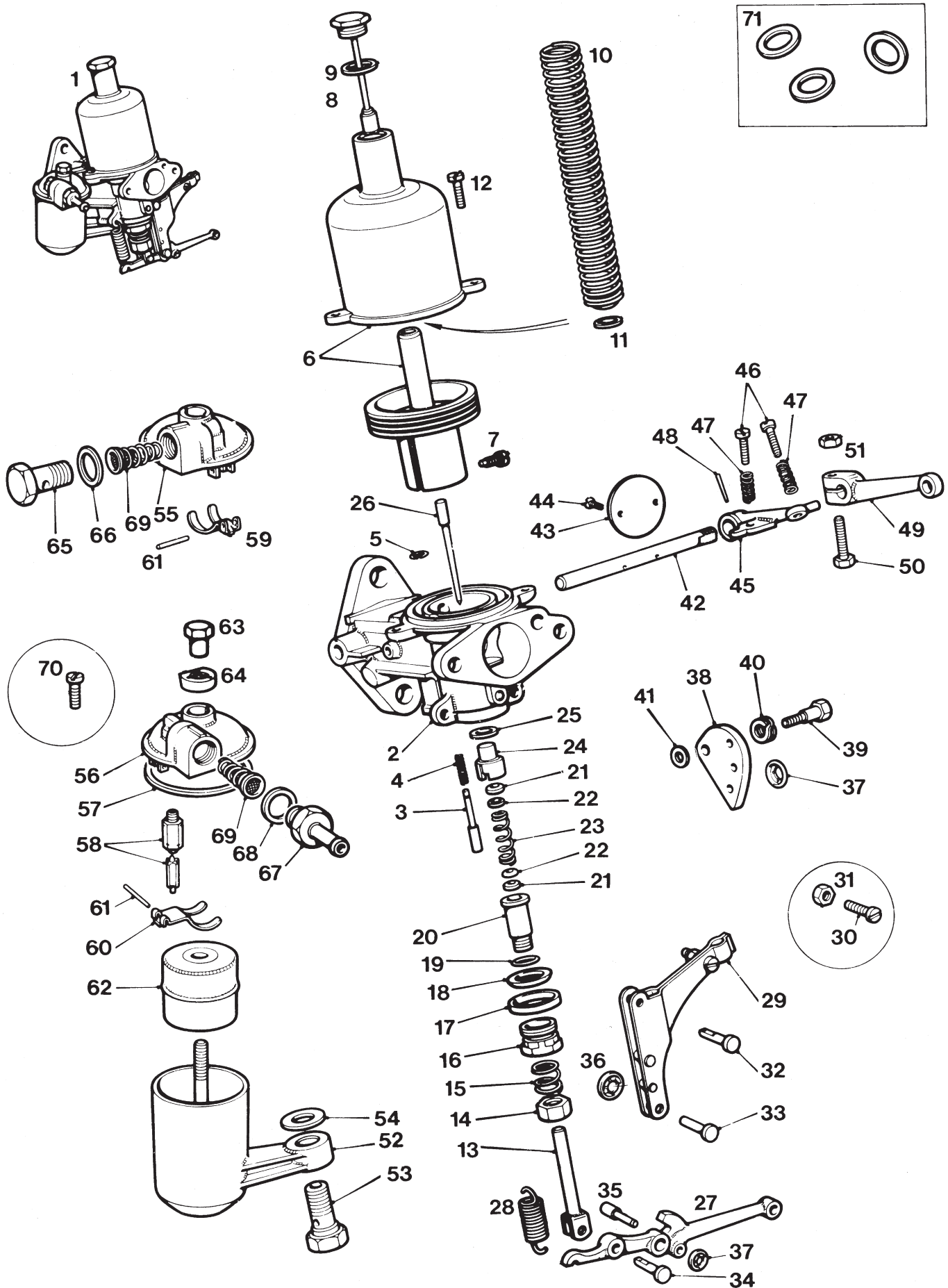
Blank

Part Number	ESM Order Ref.	Illus No.	Description	Remarks
Fuel System				
-	Use FUL101	1	Tank - fuel - early type	
FUL101	FUL101	2	Tank - fuel	
-	FIX164	-	Tank fixing screw - No.8 x 1/2" Pozi	
FUL102	SS111	3	Unit - fuel tank gauge - (bronze speedo)	
-	FUL102	3	Unit - fuel tank gauge - (black speedo)	
FUL103	FUL103	4	Gasket	
FUL119	FUL119	-	Screw - unit - fuel tank gauge (set 6)	
FUL104	FUL104	5	Pipe - tank to pump - copper with brass ends	
FUL109	FUL109	10	Pipe - pump to carburetter - banjo connection	
FUL110	FUL110	11	Pipe - pump to carburetter - push on	
FUL111	FUL111SH	12	Clip - pipe to carburetter - 17mm	
FUL112	10M560	13	Plug - drain	
FUL113	10M560A	14	Washer	
FUL114	FUL138A	15	Ferrule - filler neck - Traveller	
FUL115	FUL115SH	16	Cover - filler pipe	
FUL116	FUL116	17	Cap - filler pipe	
FUL117	FUL117	18	Pump - petrol - standard type - with points	<i>Genuine SU</i>
-	FUL117EN	18	Pump - petrol - electronic type -positive earth	<i>Genuine SU</i>
-	FUL117EP	18	Pump - petrol - electronic type -negative earth	<i>Genuine SU</i>
FUL118	FUL118	-	Filler cap - locking (black)	
FUL119	FUL119	-	Screw - unit - fuel tank gauge (set 6)	
FUL120	FUL120	-	Contact set - fuel pump - double	
-	FUL120A	-	Contact set - fuel pump - single	
FUL121	FUL121	-	Diaphragm - fuel pump	
FUL123	FUL123	-	Repair kit - fuel pump	
FUL125	FUL138	-	Ferrule - filler neck - saloon and convertible	
FUL126	FUL126	19	Clip - fuel filler hose	
FUL127	FUL127	20	Hose - fuel filler - standard	<i>Not traveller</i>
-	FUL127S	20	Hose - fuel filler - silicone	<i>Not traveller</i>
-	FUL128	-	Hose - fuel filler - standard	<i>Traveller</i>

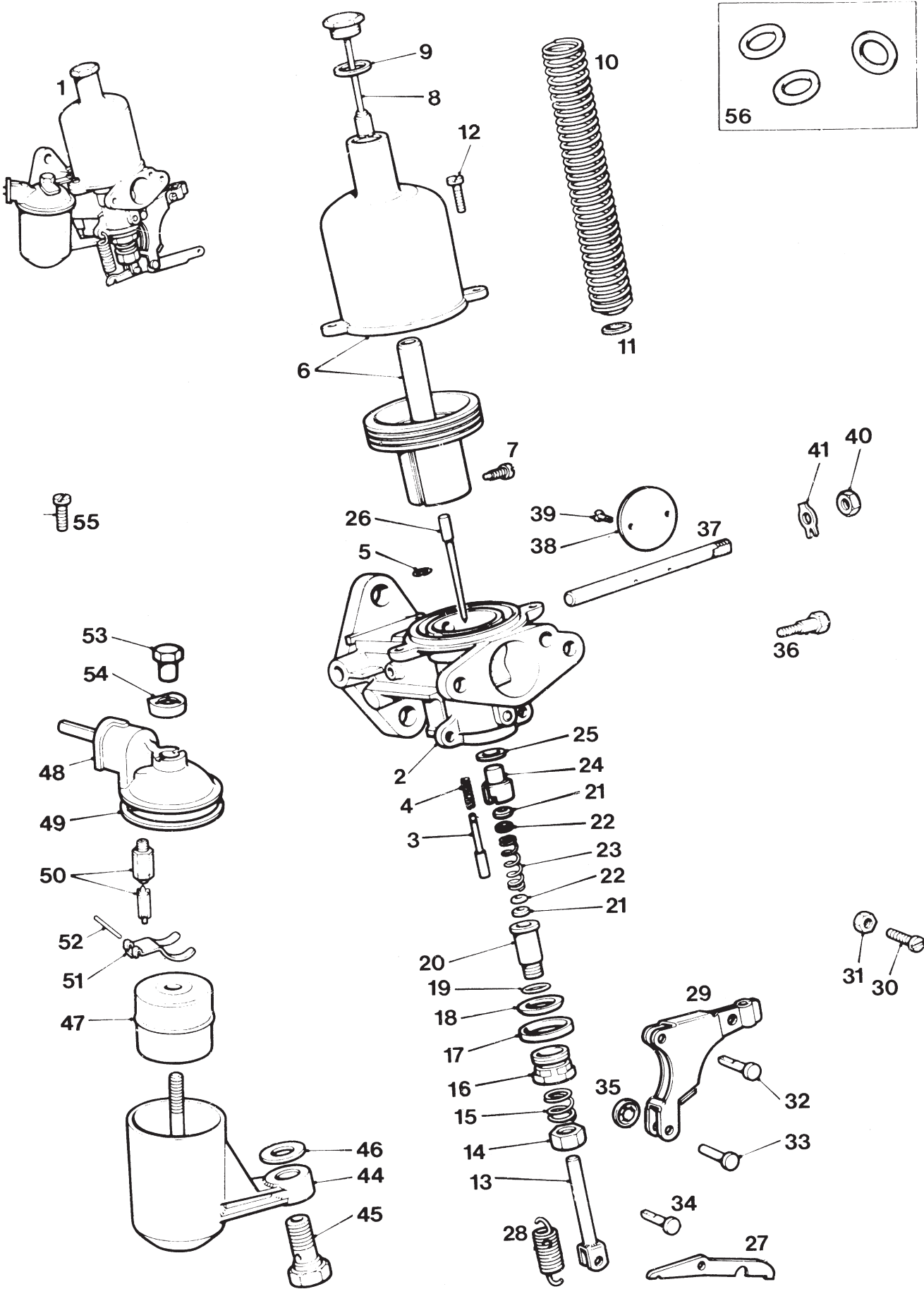




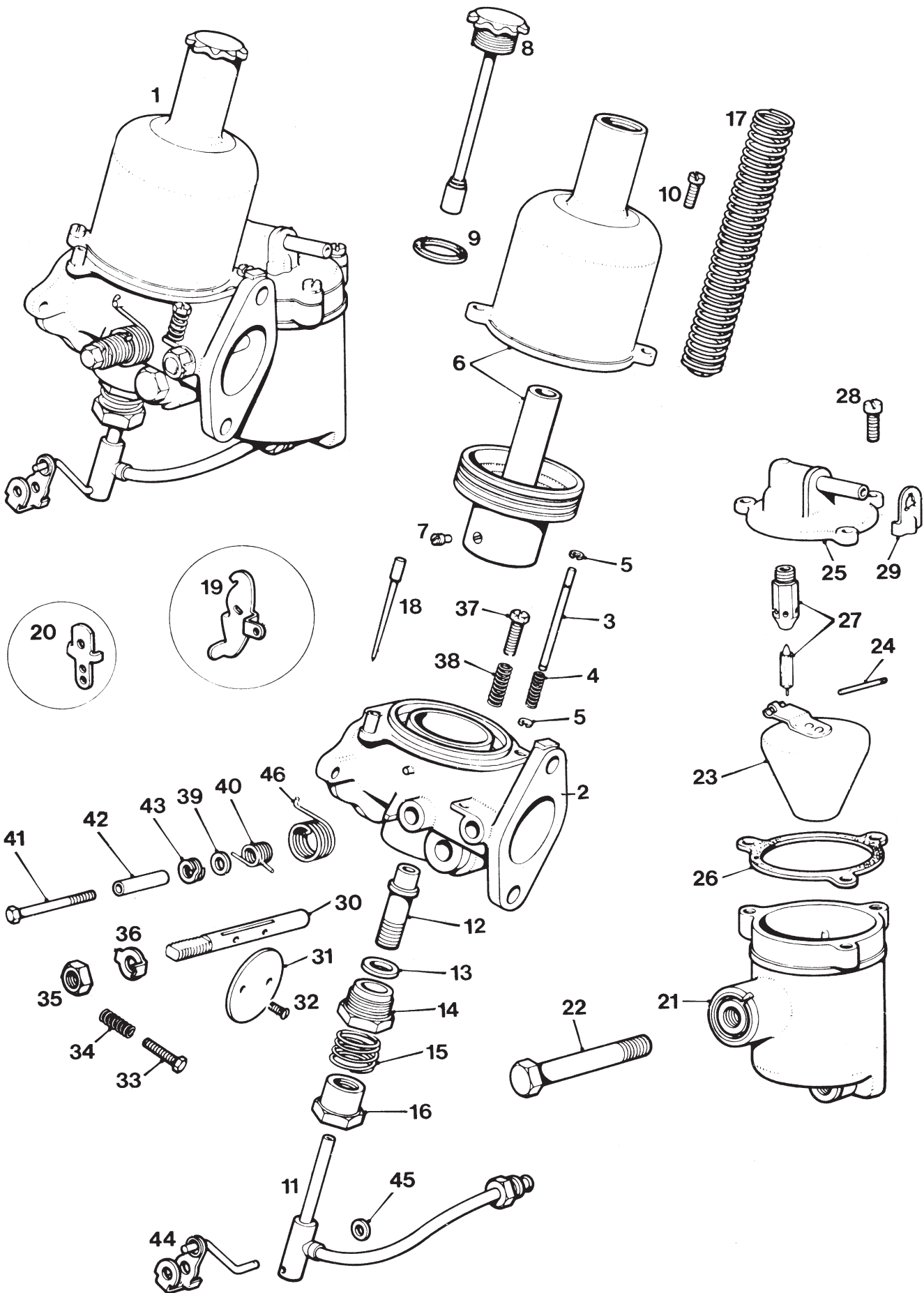
Part Number	ESM Order Ref.	Illus No.	Description	Remarks
			Carburettor S.U. H1 Type 30° semi-down draught 1 1/8"	
CRB101	CRB101SH	-	Carburettor assembly	
CRB102	CRB102	1	Needle - GG	
CRB103	CRB103SH	2	Body	
CRB104	CRB104	3	Pin -piston lifting	
CRB105	CRB105	4	Circlip - lifting pin	
CRB106	CRB106	5	Spring - lifting pin	
CRB107	CRB107SH	6	Chamber and piston assembly - suction	
CRB108	CRB108	7	Cap assembly	
CRB110	CRB110	9	Screw to body	
CRB111	CRB111	10	Jet assembly	
CRB112	CRB112	11	Nut - adjusting	
CRB113	CRB113	12	Spring - adjusting	
CRB114	CRB114	13	Nut - gland sealing	
CRB115	CRB115	14	Ring - sealing	
CRB116	CRB116	15	Ring - sealing - cork	
CRB117	CRB117	16	Washer - bottom bearing	
CRB118	CRB118	17	Bearing - bottom	
CRB119	CRB119	18	Washer - gland - cork	
CRB120	CRB120	19	Washer - gland - brass	
CRB121	CRB121	20	Spring - gland	
CRB122	CRB122	21	Bearing - top	
CRB123	CRB123	22	Washer - top bearing	
CRB124	CRB124	23	Screw - needle locking	
CRB125	CRB125	24	Lever - jet	
CRB126	CRB126	25	Spring - lever return	
CRB127	CRB127	26	Link - lever to body	
CRB128	CRB128	27	Pin - link to body	
CRB128	CRB128	28	Pin - link to lever	
CRB128	CRB128	29	Pin - lever	
CRB129	CRB129	30	Split pin	
CRB130	CRB130	31	Screw - link clamp	
CRB131	CRB131	32	Washer - spring - 3/16"	
CRB132	CRB132	33	Nut - 2BA - locking	
CRB133	CRB133SH	34	Link - jet lever to rocker lever	
CRB134	CRB134	35	Spindle - throttle	
CRB135	CRB135	36	Disc	
CRB136	CRB136	37	Screw for disc	
CRB137	CRB137SH	38	Lever - throttle stop	
CRB138	CRB138	39	Pin - lever to spindle	
CRB139	CRB139	40	Screw - stop lever adjusting - long	
CRB140	CRB140	41	Spring - stop screw - long	
CRB142	CRB142	43	Screw - stop lever adjusting - short	
CRB143	CRB143	44	Spring - stop screw - short	
CRB144	CRB144	45	Bolt - lever clamping	
CRB131	CRB131	46	Washer	
CRB132	CRB132	47	Nut	
CRB145	CRB145	48	Lever - rocker	
CRB146	CRB146	49	Bolt	
CRB147	CRB147	50	Washer	
CRB148	CRB148	51	Washer	
CRB149	CRB149	52	Float chamber	
CRB150	CRB150	53	Bolt	
CRB151	CRB151	54	Washer	
CRB152	CRB152	55	Float	
CRB153	CRB153	56	Lid	
CRB154	CRB154	57	Gasket for lid	
CRB155	CRB230	58	Needle and seat assembly	
CRB156	CRB156	59	Lever - hinged	
CRB157	CRB157	60	Pin	
CRB158	CRB158	61	Filter	
CRB159	CRB159	62	Bolt - banjo	
CRB160	CRB160	63	Washer	
CRB161	CRB161	64	Cap nut - lid	
CRB162	CRB162	65	Cover - lid - brass	
CRB163	CRB163	66	Arm - float chamber support	
CRB166	CRB166	70	Gasket	
CSK40	CSK40	-	Service kit	
CRK226	CRK226	-	Rebuild kit	



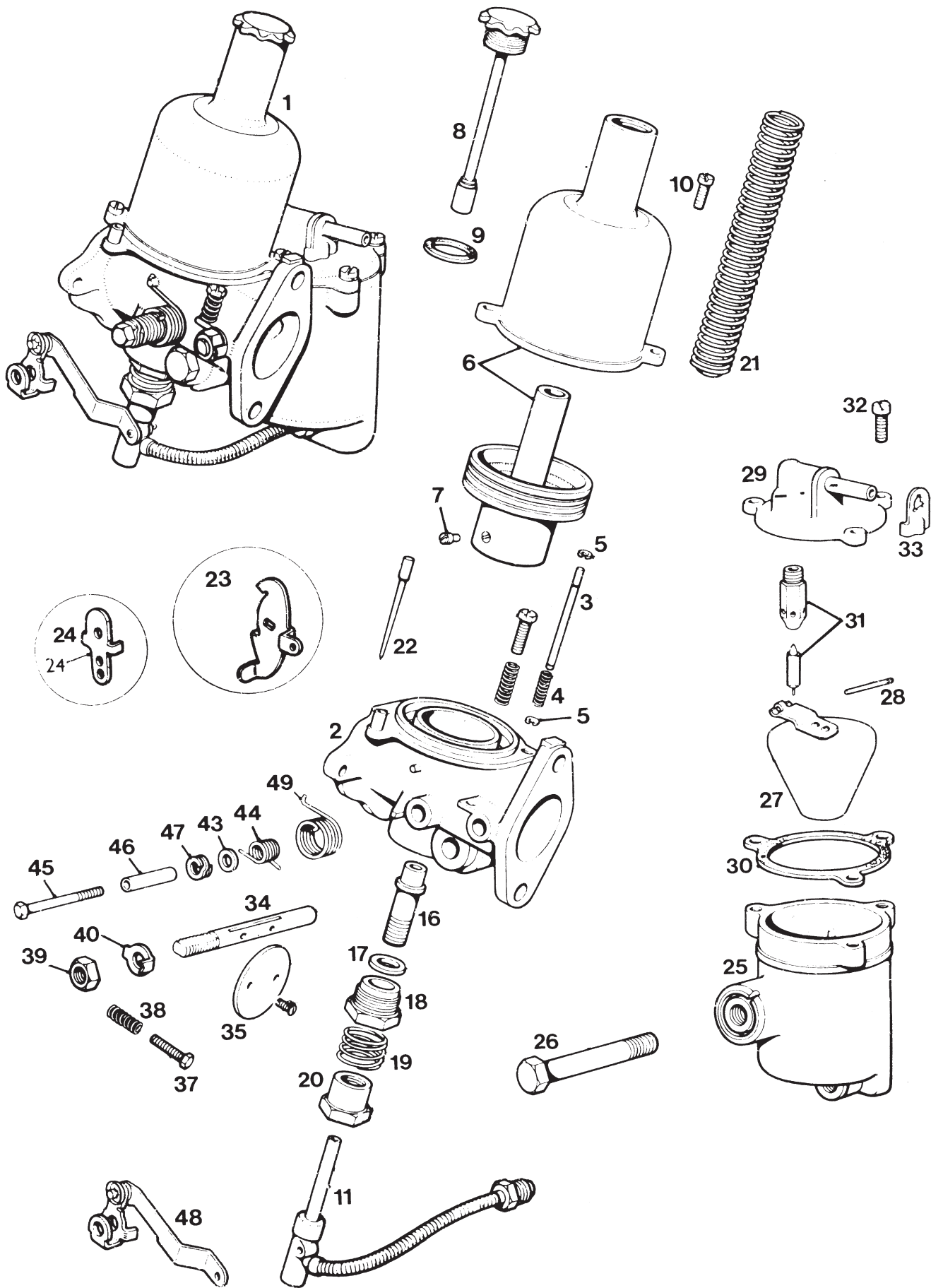
Part Number	ESM Order Ref.	Illus No.	Description	Remarks
			Carburetter - H2 - for use with 948cc engines from engine 9M/U/H101 to 165937	
CRB167	CRB167SH	1	Carburetter assembly	
CRB168	CRB168SH	2	Body assembly	
CRB104	CRB104	3	Pin	
CRB106	CRB106	4	Spring	
CRB105	CRB105	5	Circlip	
CRB169	CRB169SH	6	Chamber and piston assembly	
CRB170	CRB170SH	7	Screw - needle locking	
CRB108	CRB108	8	Cap and damper	
CRB171	CRB171	9	Washer	
CRB172	CRB172	10	Spring - piston -red	
CRB173	CRB173	11	Washer - thrust - spring	
CRB110	CRB110	12	Screw	
CRB111	CRB111	13	Jet	
CRB112	CRB112	14	Nut - adjusting	
CRB113	CRB113	15	Spring - adjusting nut	
CRB114	CRB114	16	Nut - gland sealing	
CRB115	CRB115	17	Ring - sealing	
CRB116	CRB116	18	Ring - sealing - cork	
CRB117	CRB117	19	Washer - bottom bearing	
CRB118	CRB118	20	Bearing - bottom	
CRB119	CRB119	21	Washer - gland - cork	
CRB120	CRB120	22	Washer - gland - brass	
CRB121	CRB121	23	Spring	
CRB122	CRB122	24	Bearing - top	
CRB123	CRB123	25	Washer - top bearing	
CRB174	CRB174	26	Needle - jet - standard (BX1)	
CRB175	CRB175	26	Needle - jet - weak (MO)	
CRB176	CRB176	27	Lever - jet	
CRB126	CRB126	28	Spring	
CRB177	CRB177SH	29	Link assembly - jet lever	
CRB130	CRB130	30	Bolt	
CRB132	CRB132	31	Nut	
CRB128	CRB128	32	Pin - link to body	
CRB128	CRB128	33	Pin - link to lever	
CRB179	CRB179	33	Pin - lever to jet	
CRB180	CRB180	35	Pin	
CRB181	CRB181	36	Washer	
CRB182	CRB182	38	Cam - slow running	
CRB146	CRB146	39	Bolt - pivot	
CRB147	CRB147	40	Spring washer	
CRB148	CRB148	41	Washer	
CRB185	CRB185	42	Spindle - throttle	
CRB186	CRB186	43	Disc - throttle	
CRB136	CRB136	44	Screw - disc	
CRB139	CRB139	46	Screw - stop adjusting	
CRB140	CRB140	47	Spring - screw	
CRB138	CRB138	48	Pin - taper	
CRB187	CRB187	49	Lever - throttle	
CRB188	CRB188	50	Bolt - lever	
CRB189	CRB189	51	Nut	
CRB190	CRB190	52	Chamber - float	
CRB150	CRB150	53	Bolt - float chamber to body	
CRB151	CRB151	54	Washer - fibre	
CRB191	CRB191	55	Lid - float chamber	
CRB192	CRB192	56	Lid - float chamber	
CRB193	CRB193	57	Washer - lid	
CRB230	CRB230	58	Needle and seat	
CRB195	CRB195	59	Lever - hinged	
CRB195	CRB196	60	Lever - hinged	
CRB157	CRB157	61	Pin - hinged	
CRB197	CRB197	62	Float	
CRB161	CRB161	63	Nut - cap	
CRB159	CRB159	65	Bolt - banjo	
CRB160	CRB160	66	Washer - fibre	
CRB198	CRB198	67	Nozzle - inlet	
CRB160	CRB160	68	Washer - fibre	
CRB158	CRB158	69	Filter	
CRB110	CRB110	70	Screw - support arm	



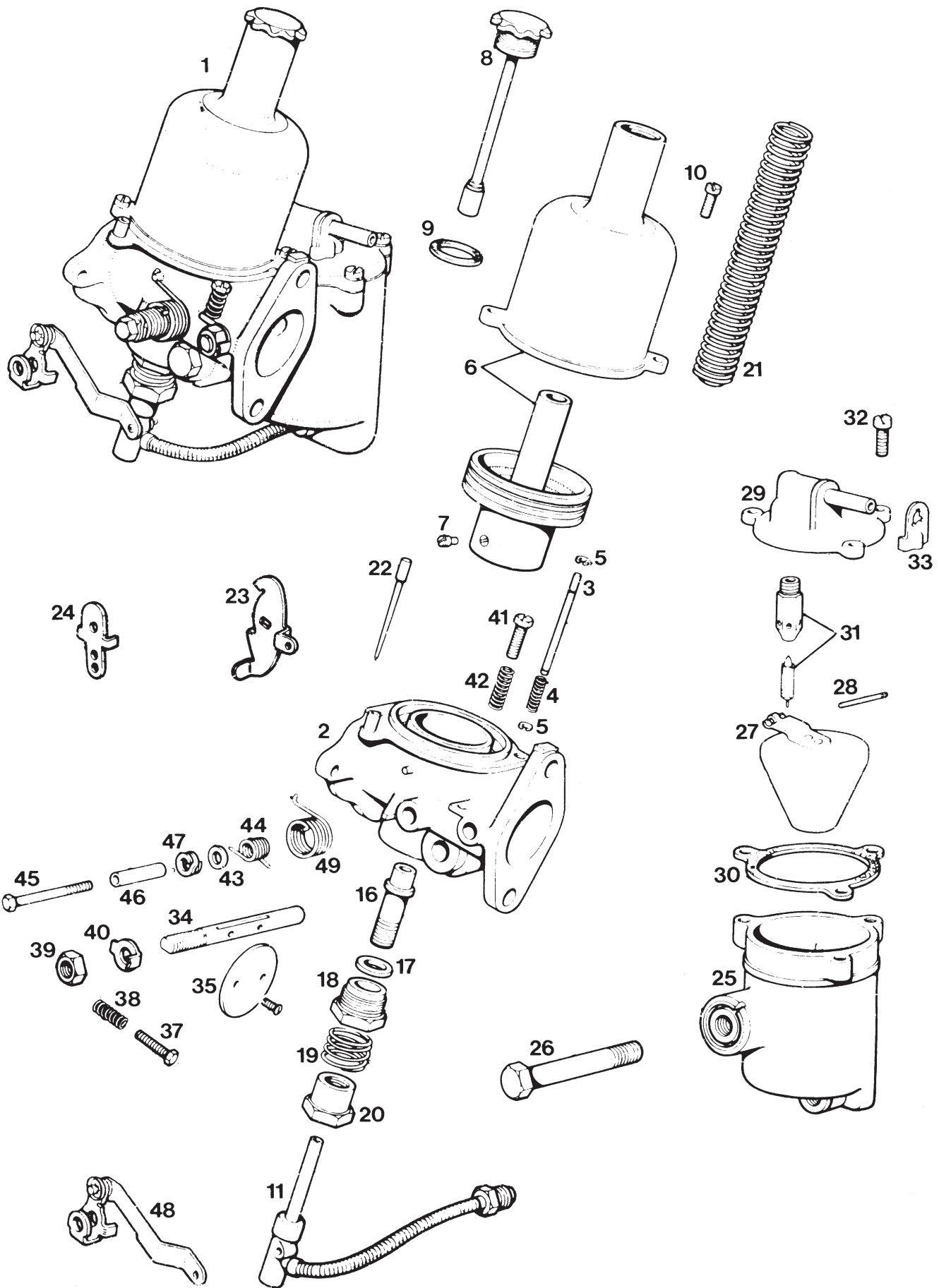
Part Number	ESM Order Ref.	Illus. No.	Description	Remarks
Carburettor - Type H2 - 948cc engine from engine nos. 9M/U/H165938 to H353641				
CRB201	CRB201SH	1	Carburettor assembly	
CRB202	CRB202SH	2	Body assembly	
CRB104	CRB104	3	Pin - piston lifting	
CRB106	CRB106	4	Spring - pin	
CRB105	CRB105	5	Circlip - pin	
CRB169	CRB169SH	6	Chamber and piston assembly	
CRB170	CRB170SH	7	Screw - needle locking	
CRB108	CRB108	8	Cap and damper	
CRB171	CRB171	9	Washer - fibre	
CRB172	CRB172	10	Spring - piston - red	
CRB173	CRB173	11	Washer - thrust - spring	
CRB199	CRB199	12	Screw - chamber to body	
CRB111	CRB111	13	Nut	
CRB112	CRB112	14	Nut - adjusting	
CRB113	CRB113	15	Spring - adjusting nut	
CRB114	CRB114	16	Nut - gland - sealing	
CRB115	CRB115	17	Ring - sealing (aluminium)	
CRB116	CRB116	18	Ring - sealing - (cork)	
CRB117	CRB117	19	Washer - bottom bearing (copper)	
CRB118	CRB118	20	Bearing - bottom	
CRB119	CRB119	21	Washer - gland (cork)	
CRB120	CRB120	22	Washer - gland (brass)	
CRB121	CRB121	23	Spring - gland	
CRB122	CRB122	24	Bearing - top	
CRB123	CRB123	25	Washer - top bearing (copper)	
CRB203	CRB203	26	Needle-jet - standard (M)	
CRB204	CRB204	26	Needle-jet - weak (EB)	
CRB205	CRB205	26	Needle-jet - rich (AH2)	
CRB206	CRB206SH	27	Lever - jet	
CRB126	CRB126	28	Spring - jet lever return	
CRB177	CRB177SH	29	Link assembly - jet lever	
CRB130	CRB130	30	Bolt - link	
CRB132	CRB132	31	Nut	
CRB128	CRB128	32	Pin - link to body	
CRB128	CRB128	33	Pin - link to lever	
CRB128	CRB128	34	Pin - lever to jet	
CRB181	CRB181	35	Washer - starlock	
CRB146	CRB146	36	Bolt - pivot	
CRB185	CRB185	37	Spindle - throttle	
CRB186	CRB186	38	Disc - throttle	
CRB136	CRB136	39	Screw - disc	
CRB207	CRB207	40	Nut - throttle spindle	
CRB208	CRB208	41	Washer - tab	
CRB149	CRB149	44	Chamber - float	
CRB150	CRB150	45	Bolt - float chamber to body	
CRB151	CRB151	46	Washer - fibre	
CRB152	CRB152	47	Float	
CRB154	CRB154	49	Washer - lid	
CRB209	CRB209	48	Lid - float chamber	
CRB230	CRB230	50	Needle and seat	
CRB156	CRB156	51	Lever - hinged	
CRB157	CRB157	52	Pin - hinge	
CRB161	CRB161	53	Nut - cap	
CRB162	CRB162	54	Cover - lid	
CRB110	CRB110	55	Screw - support arm	
	CSK40	-	Service kit	



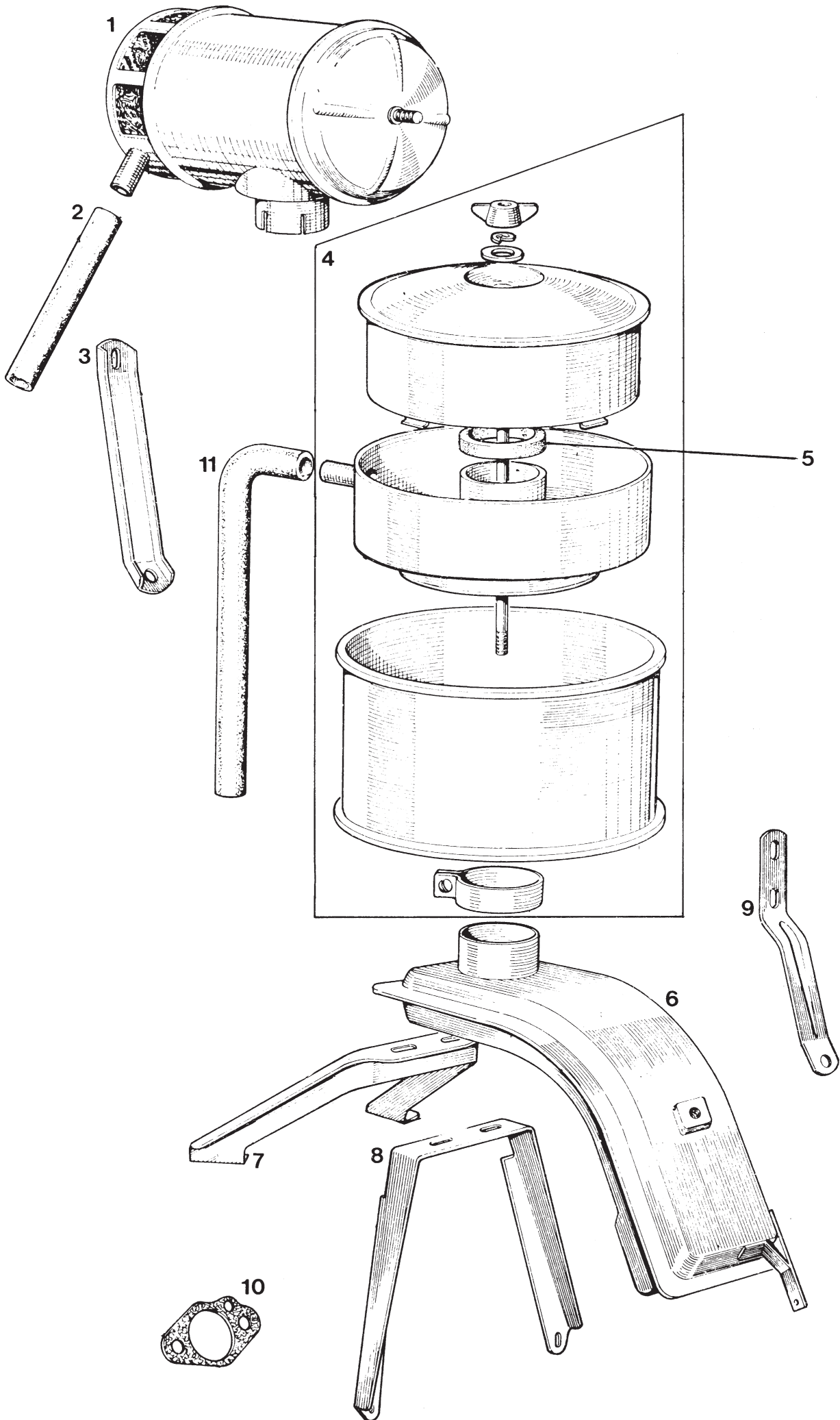
Part Number	ESM Order Ref.	Illus. No.	Description	Remarks
			Carburettor HS2 for use with 948cc engine Nos. 9M/U/H353642 to H572042	
CRB212	CRB212	1	Carburettor assembly	
CRB213	CRB213SH	2	Body	
CRB214	CRB214SH	3	Pin - piston lifting	
CRB106	CRB106	4	Spring - pin	
CRB105	CRB105	5	Circlip - pin	
CRB169	CRB169SH	6	Chamber and piston assembly	
CRB170	CRB170SH	7	Chamber and piston assembly	
CRB198	CRB198	8	Cap and damper	
CRB171	CRB171	9	Washer - fibre	
CRB110	CRB110	10	Screw - chamber to body	
CRB215	CRB215	11	Jet	
CRB216	CRB216	12	Bearing - jet	
CRB217	CRB217	13	Washer - jet bearing (brass)	
CRB218	CRB218	14	Screw - jet locking	
CRB113	CRB113	15	Spring - jet locking	
CRB219	CRB219	16	Screw - jet adjusting	
CRB172	CRB172	17	Spring - piston (red)	
CRB205	CRB205	18	Needle-jet - rich (AH2)	
CRB203	CRB203	18	Needle-jet - standard (M)	
CRB204	CRB204	18	Needle-jet - weak (EB)	
CRB223	CRB223	19	Lever - throttle return	
CRB224	CRB224	20	Lever - cam	
CRB225	CRB225SH	21	Chamber - float	
CRB226	CRB226SH	22	Bolt - float chamber fixing	
CRB227	CRB227	23	Float	
CRB157	CRB157	24	Pin - hinge	
CRB228	CRB228	25	Lid - float chamber	
CRB229	FUL133	26	Washer - lid	
CRB230	CRB230	27	Needle and seat	
CRB110	CRB110	28	Screw - lid	
CRB231	CRB231	29	Plate - baffle	
CRB232	CRB232	30	Spindle - throttle	
CRB186	CRB186	31	Disc - throttle	
CRB136	CRB136	32	Screw - disc	
CRB207	FIX130	35	Nut - 1/4" BSF	
CRB208	CRB208	36	Washer - tab	
CRB233	CRB233	37/38	Screw and spring (idle screw kit)	
CRB234	CRB234	39	Washer - cam lever	
CRB235	CRB235	40	Spring - cam lever	
CRB236	CRB236	41	Bolt - pivot	
CRB237	CRB237	42	Tube - pivot bolt	
CRB238	CRB238	43	Washer - spring	
CRB239	CRB239	44	Link and pick-up lever	
CRB240	CRB240	45	Washer - jet link - plain	
CRB241	CRB241	46	Spring - pick-up lever	



Part Number	ESM Order Ref.	Illus. No.	Description	Remarks
			Single carburetter - for use with 948cc engines 9M/U/H574230 on 1098cc engines 10/MA, 10ME/U/101 on 10V/189/EH101 to H300, 10V/190/EH101 to H400	
CRB242	CRB242	1	Carburetter assembly	
CRB243	CRB243SH	2	Body	
CRB215	CRB215	3	Pin - piston lifting	
CRB106	CRB106	4	Spring - pin	
CRB105	CRB105	5	Circlip - pin	
CRB169	CRB169SH	6	Chamber and piston assembly	
CRB170	CRB170SH	7	Screw - needle locking	
CRB108	CRB108	8	Cap and damper	
CRB171	CRB171	9	Washer - fibre	
CRB199	CRB199	10	Screw - chamber to body	
CRB245	CRB245	11	Jet assembly	
CRB216	CRB216	16	Bearing - jet	
CRB217	CRB217	17	Washer - jet bearing (brass)	
CRB218	CRB218	18	Screw - jet locking	
CRB113	CRB113	19	Spring - jet locking	
CRB219	CRB219	20	Screw - jet adjusting	
CRB172	CRB172	21	Spring - piston - red	
CRB220	CRB220	22	Needle-jet - rich (HC)	
CRB221	CRB203	22	Needle-jet - standard (AN)	
CRB204	CRB204	22	Needle-jet - weak (EB)	
CRB223	CRB223	23	Lever - throttle return	
CRB224	CRB224	24	Lever - cam	
CRB225	CRB225SH	25	Chamber - float	
CRB226	CRB226	26	Bolt - float chamber fixing	
CRB227	CRB227	27	Float	
CRB157	CRB157	28	Pin- hinge	
CRB228	CRB228	29	Lid - float chamber	
CRB229	FUL133	30	Washer - lid	
CRB230	CRB230	31	Needle and seat	
CRB110	CRB110	32	Screw - lid	
CRB231	CRB231	33	Plate - baffle	
CRB232	CRB232	34	Spindle - throttle	
CRB186	CRB186	35	Disc - throttle	
CRB136	CRB136	36	Screw - disc	
CRB233	CRB233	37	Screw - stop	
CRB140	CRB140	38	Spring - screw	
CRB207	FIX130	39	Nut - 1/4" BSF	
CRB208	CRB208	40	Washer - tab	
CRB233	CRB233	31	Screw - throttle stop	
CRB140	CRB140	42	Spring - screw	
CRB234	CRB234	43	Washer - cam lever	
CRB235	CRB235	44	Spring - cam lever	
CRB236	CRB236	45	Bolt - pivot bolt	
CRB237	CRB237	46	Tube - pivot bolt	
CRB238	CRB238	47	Washer - spring	
CRB256	CRB256	48	Lever and link - pick-up	
CRB241	CRB241	49	Spring - pick-up lever	



Part Number	ESM Order Ref.	Illus. No.	Description	Remarks
<i>Single carburetter - HS2 - for use with 1098cc engines No. 10V/189E/H301 on 10V/190E/H401 on</i>				
CRB246	CRB242B	1	Carburetter assembly	
CRB247	CRB247SH	2	Body	
CRB214	CRB214SH	3	Pin - piston lifting	
CRB106	CRB106	4	Spring - pin	
CRB105	CRB105	5	Circlip - pin	
CRB169	CRB169SH	6	Chamber and piston assembly	
CRB170	CRB170SH	7	Screw - needle locking	
CRB244	CRB108	8	Cap and damper	
CRB171	CRB171	9	Washer - fibre	
CRB199	CRB199	10	Screw - chamber to body	
CRB245	CRB245	11	Jet assembly	
CRB216	CRB216	16	Bearing - jet	
CRB217	CRB217	17	Washer - jet bearing (brass)	
CRB218	CRB218	18	Screw - jet locking	
CRB113	CRB113	19	Spring - jet locking	
CRB219	CRB219	20	Screw - jet adjusting	
CRB172	CRB172	21	Spring - piston -red	
CRB205	CRB205	22	Needle - jet - rich (HC)	
CRB221	CRB221	22	Needle - jet - standard (AN)	
CRB204	CRB204	22	Needle -jet - weak (EB)	
CRB223	CRB223	23	Lever - throttle return	
CRB251	CRB251	24	Lever - cam	
CRB225	CRB225SH	25	Chamber - float	
CRB226	CRB226SH	26	Bolt - float chamber fixing	
CRB227	CRB227	27	Float	
CRB157	CRB157	28	Pin - hinge	
CRB228	CRB228	29	Lid - float chamber	
CRB229	FUL133	30	Washer - lid	
CRB230	CRB230	31	Needle and seat	
CRB110	CRB110	32	Screw - lid	
CRB231	CRB231	33	Plate - baffle	
CRB232	CRB232	34	Spindle - throttle	
CRB186	CRB186	35	Disc - throttle	
CRB136	CRB136	36	Screw - disc	
CRB233	CRB233	37	Screw - stop	
CRB140	CRB140	38	Spring - screw	
CRB207	FIX130	39	Nut - 1/4" BSF	
CRB252	CRB252	40	Washer - tab	
CRB233	CRB233	41	Screw - throttle stop	
CRB140	CRB140	42	Spring - screw	
CRB253	CRB253	43	Washer - cam lever	
CRB254	CRB254	44	Spring - cam lever	
CRB236	CRB236	45	Bolt - pivot	
CRB237	CRB237	46	Tube - pivot bolt	
CRB238	CRB238	47	Washer - spring	
CRB255	CRB255SH	48	Lever and link - pick-up	
CRB241	CRB241	49	Spring - pick-up lever	

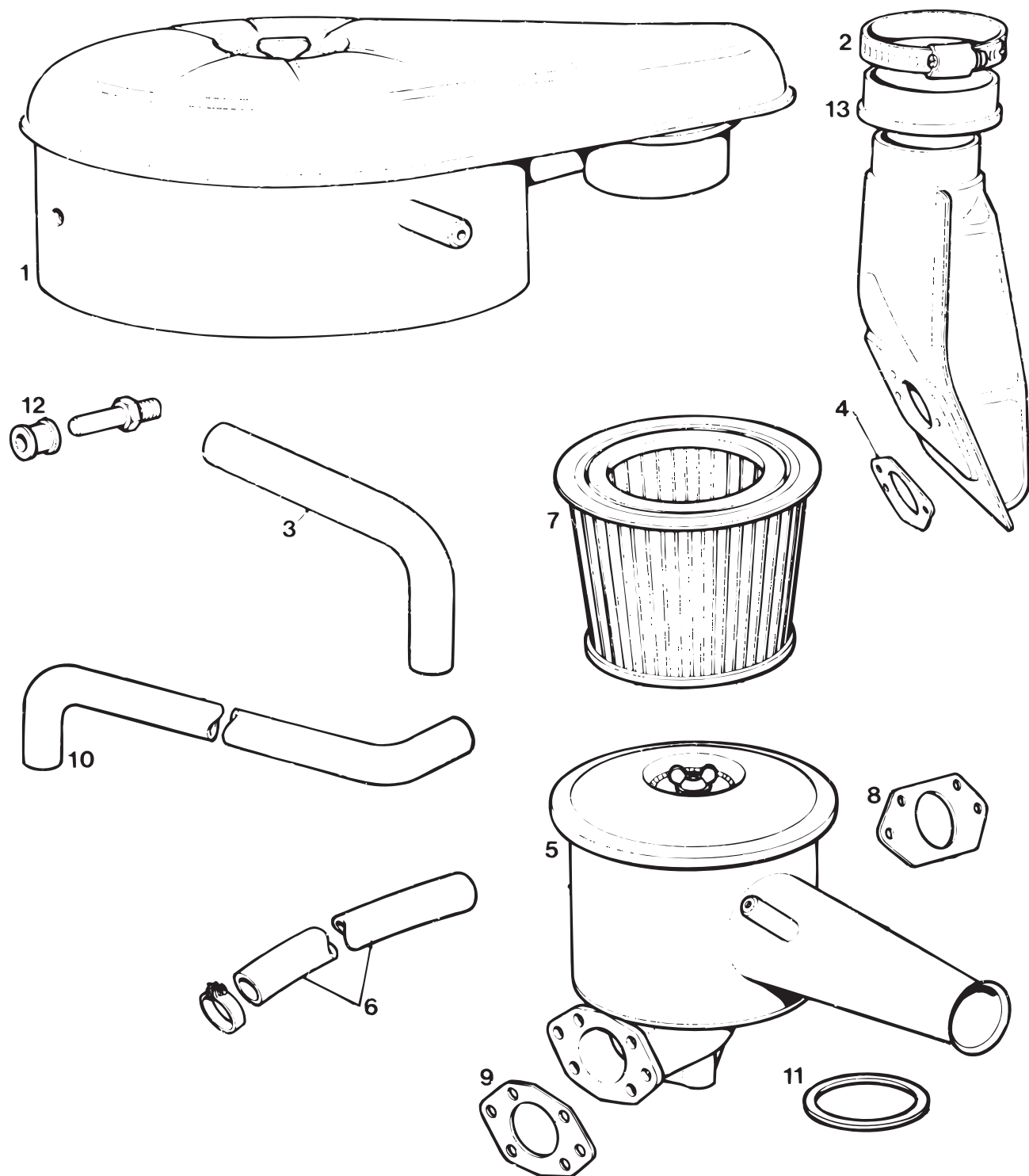


Part Number	ESM Order Ref.	Illus. No.	Description	Remarks
AIR101	AIR101SH	1	Cleaner - air	
AIR102	USE FUL141	2	Hose	
AIR103	AIR103SH	3	Bracket - steady	
AIR104	AIR104SH	4	Cleaner assembly - air	
AIR105	AIR105SH	5	Washer - sealing	
AIR106	AIR106SH	6	Pipe - air	
AIR107	AIR107SH	7	Bracket - steady	
AIR108	AIR108SH	8	Bracket - support	
AIR109	AIR109SH	9	Bracket - steady	
AIR110	AIR110	10	Gasket - air pipe to carburetter	
AIR111	FUL141	11	Hose - air cleaner to rocker cover	

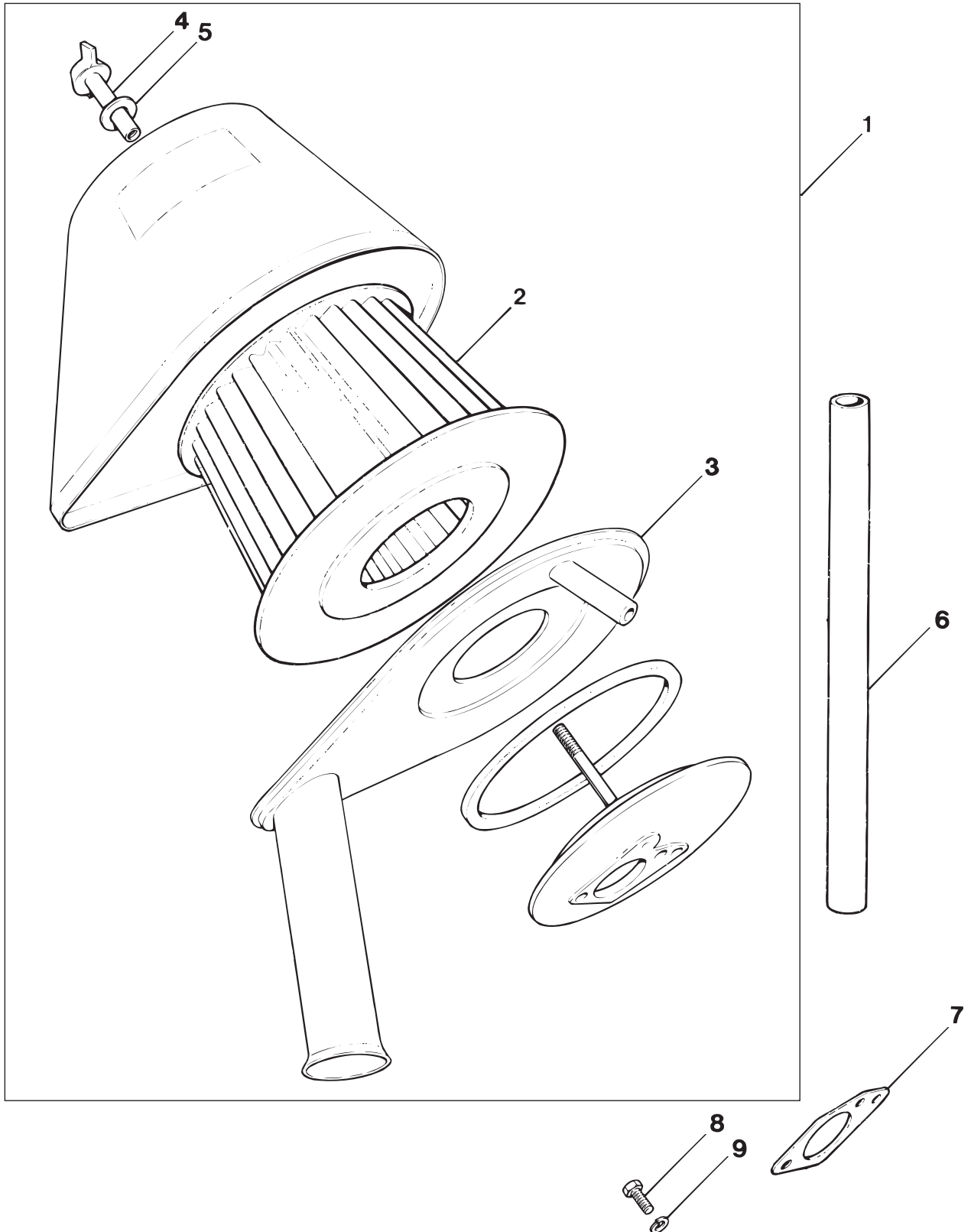
Part Number	ESM Order Ref.	Illus. No.	Description	Remarks
-------------	----------------	------------	-------------	---------

Air cleaner assembly - 948cc

AIR112	AIR112SH	1	Cleaner - air
AIR113	AIR113SH	2	Pipe assembly
AIR114	FUL141	3	Pipe - breather - rubber
AIR115	AIR115SH	4	Gasket - air pipe to carburetter
AIR116	AIR116SH	5	Cleaner - air
AIR117	FUL200	6	Hose - air cleaner to rocker cover (with clips)
AIR118	FUL139	7	Filter
AIR119	AIR126	8	Gasket - air cleaner to carburetter
AIR120	AIR126	9	Gasket - air cleaner to carburetter
AIR121	FUL200	10	Hose - air cleaner to rocker cover
AIR122	FUL140	11	Seal - housing to carburetter
-	AIR130	12	Bush - air cleaner mounting
-	AIR135	13	Seal - air cleaner tube



Part Number	ESM Order Ref.	Illus. No.	Description	Remarks
Air cleaner assembly - 1098cc				
AIR123	AIR123SH	1	Cleaner assembly - air (with filter)	
AIR118	FUL139	2	Filter	
-	AIR123A	3	Base plate - air cleaner	
-	AIR127	4	Nut - wing	
-	AIR128	5	Washer - fibre	
AIR125	FUL141	6	Pipe - Cleaner to rocker cover	
AIR126	AIR126	7	Gasket - cleaner to carburetter	
-	AIR129	8	Screw - 5/16 UNC x 3/4"	
-	FIX157	9	Washer - spring - 5/16"	



Part Number	ESM Order Ref.	Illus. No.	Description	Remarks
EXH101	EX101	1	Pipe - exhaust - mild steel	
EXH102	EX102	1	Pipe - exhaust - stainless steel	
EXH103	EX109	2	Clamp - exhaust to manifold	
GEX7228	EX113	3	Bracket - exhaust support	
GEX7229	EX111	4	Exhaust strap - long - centre	
GEX7230	EX111A	4	Exhaust strap - short - rear	
EXH106	Use EX106	5	Shield - heat	
EXH107	Use EX106	6	Cover - heat shield	
-	EX106	5 & 6	Cover and shield	
EXH110	EX115	-	Fitting kit - exhaust	

