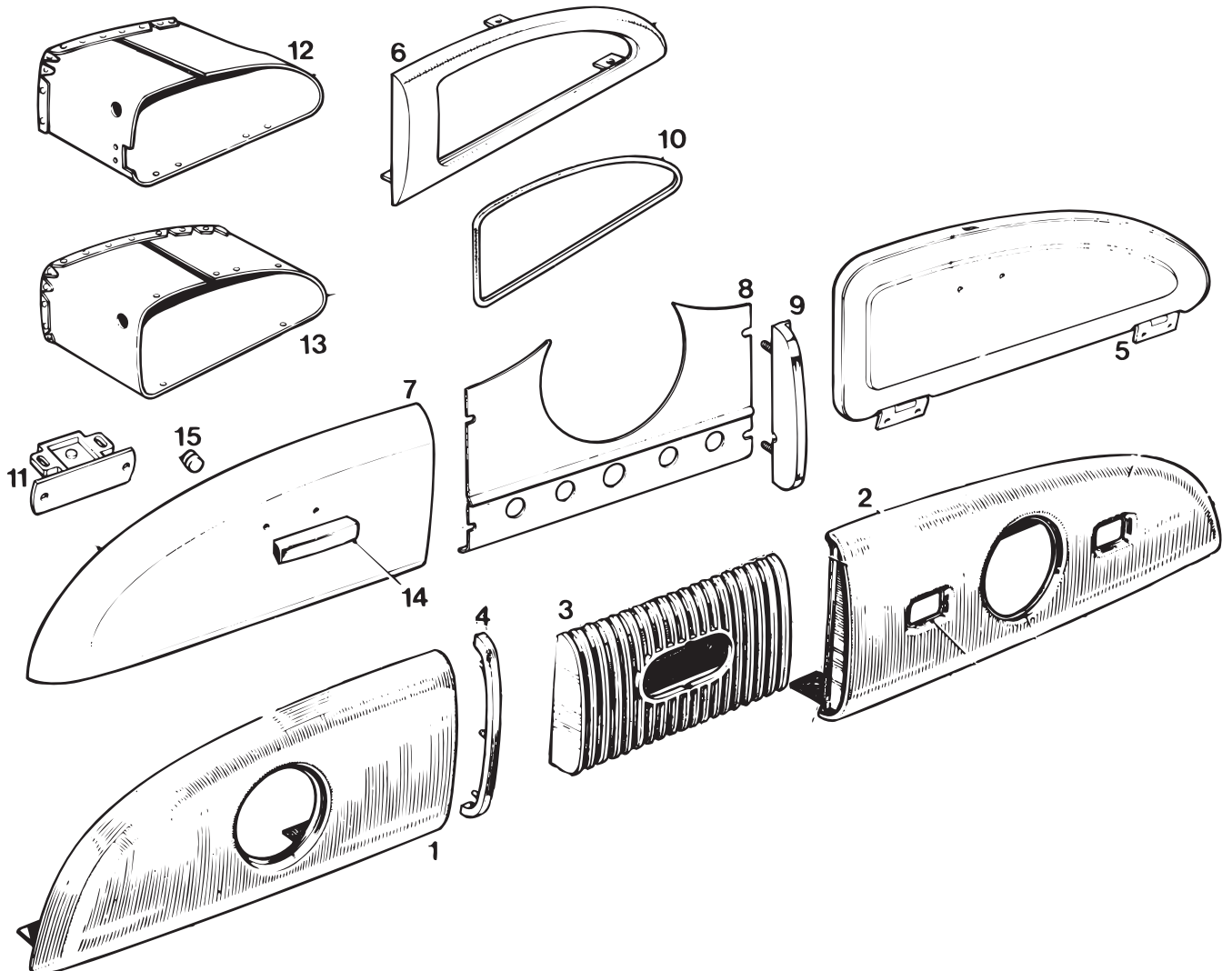


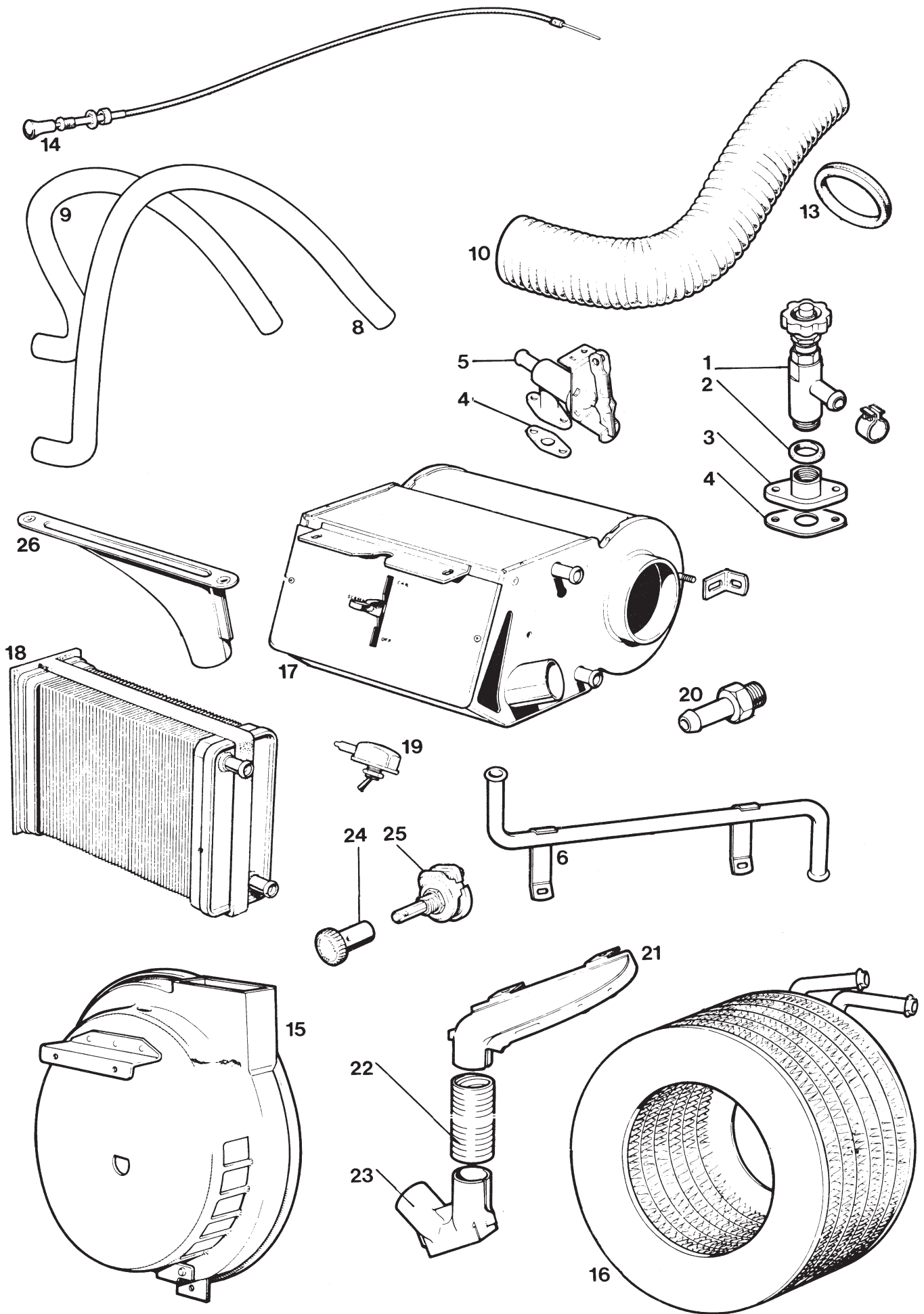
**Fascia  
Heater and  
ventilation**

**10**

Blank

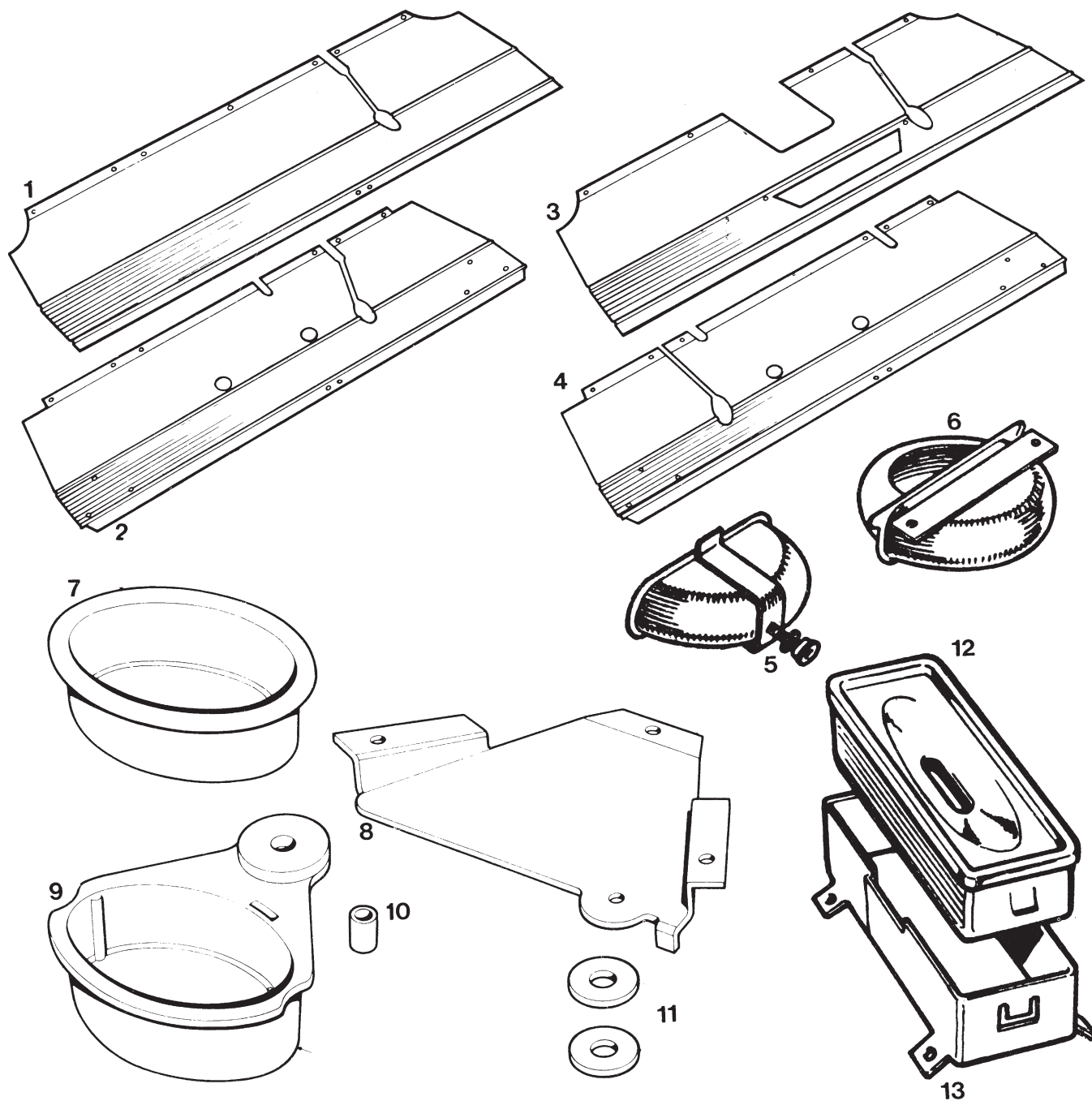
Part Number	ESM Order Ref.	Illus. No.	Description	Remarks
<b>Glove box lids, etc.</b>				
DSH101	DSH101SH	1	Lid - glove box - L/H only	803cc - early
-	ACC199	-	Clock - fits into above glove box lid	
DSH102	DSH102SH	2	Panel - instrument	
DSH103	DSH103SH	3	Finisher - fascia - centre	
DSH104	DSH104SH	4	Finisher - chromium	
DSH105	DSH105SH	5	Lid - glove box - R/H	
DSH106	DSH106SH	-	Lid - glove box - L/H	
DSH107	DSH107SH	6	Surround - glove box - R/H	
DSH108	DSH108SH	7	Lid - glove box - L/H	
DSH109	DSH109SH	8	Finisher - fascia - centre	
DSH110	DSH110SH	9	Finisher - chromium plated	
DSH111	DSH111	10	Insert - glove box surround	
DSH112	DSH112SH	11	Catch - magnetic	
DSH115	TRM503R	12	Glove box - R/H	1948 to 1962
DSH116	TRM503L	-	Glove box - L/H	1949 to 1962
DSH115C	TRM504R	13	Glove box - R/H (with chrome trim)	1962 to 1964
DSH116C	TRM504L	-	Glove box - L/H (with chrome trim)	1963 to 1964
DSH117	TRM505R	13	Glove box - R/H	1098cc - October 1964 on
DSH118	TRM505L	-	Glove box - L/H	1098cc - October 1964 on
DSH119	DSH119SH	14	Handle - glovebox lid	
DSH120	DSH120	15	Buffer - glove box lid	



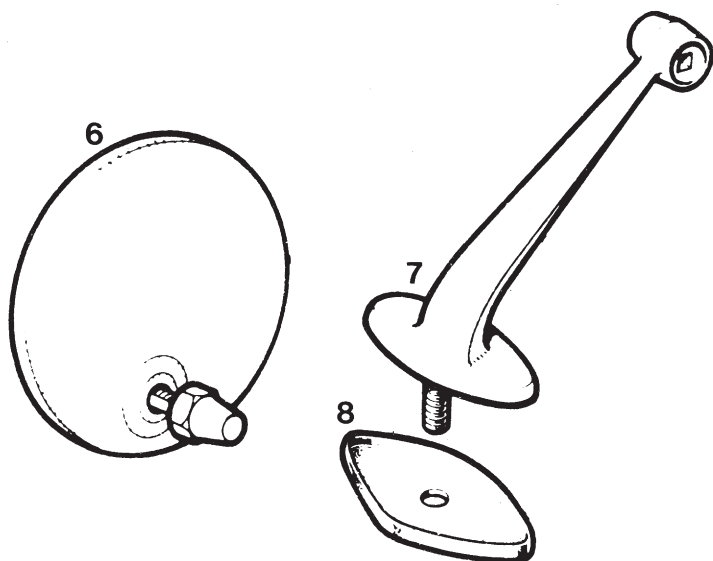
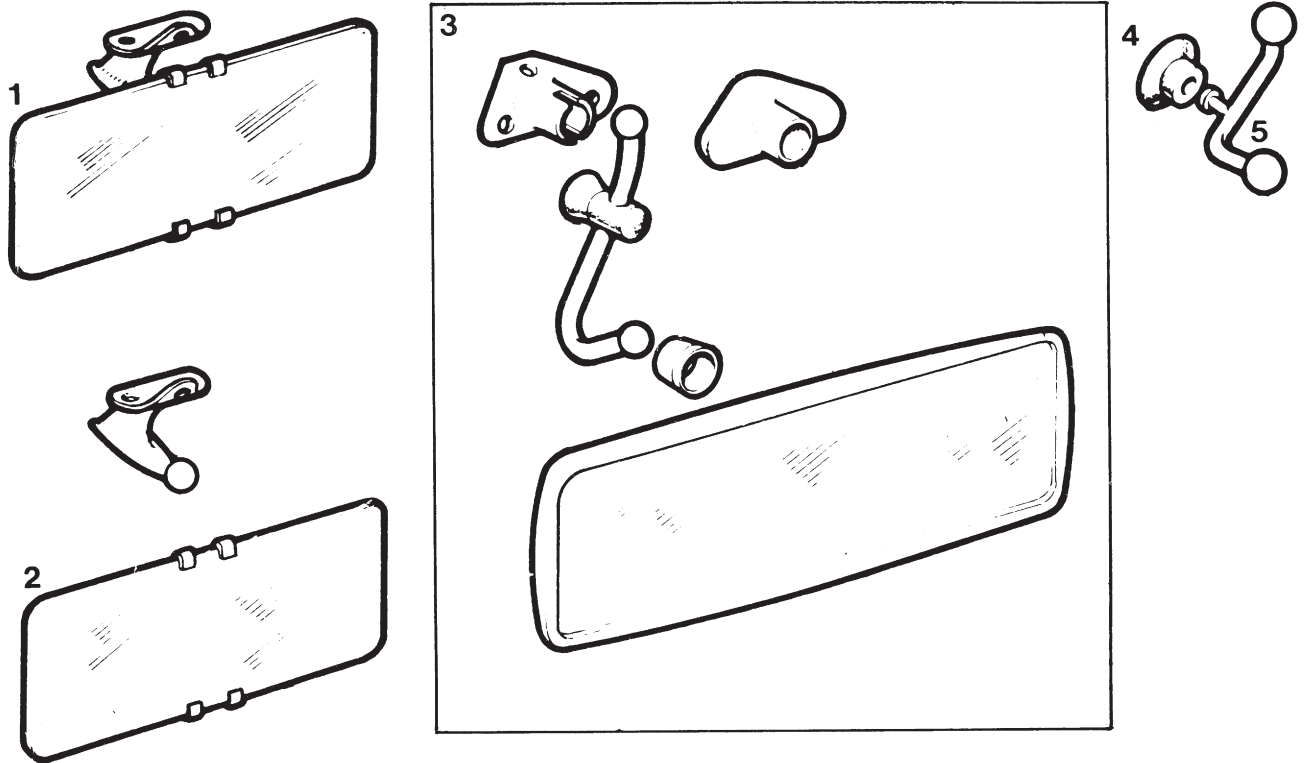


Part Number	ESM Order Ref.	Illus. No.	Description	Remarks
<b>Heater and ventilation</b>				
HTR101	HTR105A	1	Valve - heater	
HTR102	HTR102	2	Washer	
HTR103	HTR103	3	Plate - valve	
HTR104	HTR104	4	Gasket	
HTR105	HTR105	5	Valve - heater	
HTR106	HTR106SH	6	Pipe - outlet	
HTR108	HTR108M	8	Hose - heater - outlet	<i>Moulded ends</i>
HTR108	HTR108M	9	Hose - heater - inlet	<i>Moulded ends</i>
	HTR108S	-	Hose - heater - silicone	<i>Moulded ends</i>
HTR110	HTR111	10	Hose - air intake	
HTR112	HTR112	13	Grommet - air intake hose through dash	
HTR113	HTR113	14	Cable - heater valve control - with bracket	
HTR114	HTR114SH	15	Cover - front	
HTR115	HTR115SH	16	Radiator	
HTR116	HTR116SH	17	Heater assembly	
HTR117	HTR117	18	Radiator	
HTR118	HTR118	19	Switch	
HTR119	HTR119	20	Connector - hose to radiator	
HTR120	HTR120	21	Duct - demister - R/H	
HTR121	HTR121	-	Duct - demister - L/H	
HTR122	HTR122	22	Hose - demister	
HTR123	HTR123	23	Adaptor - hose - 2-way	
HTR124	HTR124SH	24	Knob	
HTR125	HTR125	25	Switch	
HTR126	HTR126	26	Duct - demister - R/H	
HTR127	HTR127	-	Duct - demister - L/H	

Part Number	ESM Order Ref.	Illus. No.	Description	Remarks
<b>Fascia tray and ashtrays</b>				
FTS101	TRM794	1	Parcel shelf - black - R.H.D	1947 to 1959
FTS102	TRM494	2	Parcel shelf - black - R.H.D	1964 on
FTS103	TRM793	3	Parcel shelf - black - R.H.D	1959 to 1964
FTS104	TRM494A	4	Parcel shelf - black - L.H.D	1964 on
FTS105	FTS105SH	5	Ashtray	Early 803cc
FTS106	FTS106SH	6	Ashtray	Late 803cc and 948cc
FTS107	FTS107SH	7	Ashtray	1098cc
FTS108	FTS108SH	8	Shield - R/H	
FTS109	FTS109SH	-	Shield - L/H	
FTS110	FTS110SH	9	Case	
FTS111	FTS111SH	10	Tube - distance	
FTS112	FTS112SH	11	Washer - fibre	
FTS113	FTS113SH	12	Ashtray - tunnel	
FTS114	FTS114SH	13	Holder - ashtray	
FTS115	TRM496	-	Foam padding & covering for bar	1959 on
FTS116	TRM495	-	Metal bar - parcel tray	1960 on



Part Number	ESM Order Ref.	Illus. No.	Description	Remarks
<b>Mirrors</b>				
MIR101	MIR101SH	1	Mirror - complete	
MIR102	MIR101E	2	Mirror glass - split screen models	
-	MIR102E	2	Mirror glass - October '56 to October '64	
MIR103	MIR103	3	Mirror assembly - 1964 on	
MIR104	MIR104	4	Sucker pad for MIR103	
MIR106	ACC159	6,7,8	Mirror assembly - wing	



Part Number	ESM Order Ref.	Illus. No.	Description	Remarks
-------------	----------------	------------	-------------	---------

**Windscreen washer**

SCW102	WPR154	2	Pump - washer	
SCW103	WPR156	3	Valve - bottle end	
SCW104	SCW104	4	3-way connector	
SCW105	WPR158	5	Washer jet - single - chrome	
SCW106	CCW109	6,7	Bracket - bottle	
SCW108	CCW108	8	Bottle	
SCW109	WPR160	9	Washer pipe - 3 mm. I/D	<i>Per foot</i>
-	WPR160A	9	Washer pipe - 4 mm. I/D	<i>Per foot</i>
-	WPR160B	9	Washer pipe - 5 mm. I/D	<i>Per foot</i>
-	ACC137	-	Washer bottle sticker "Tudor"	

