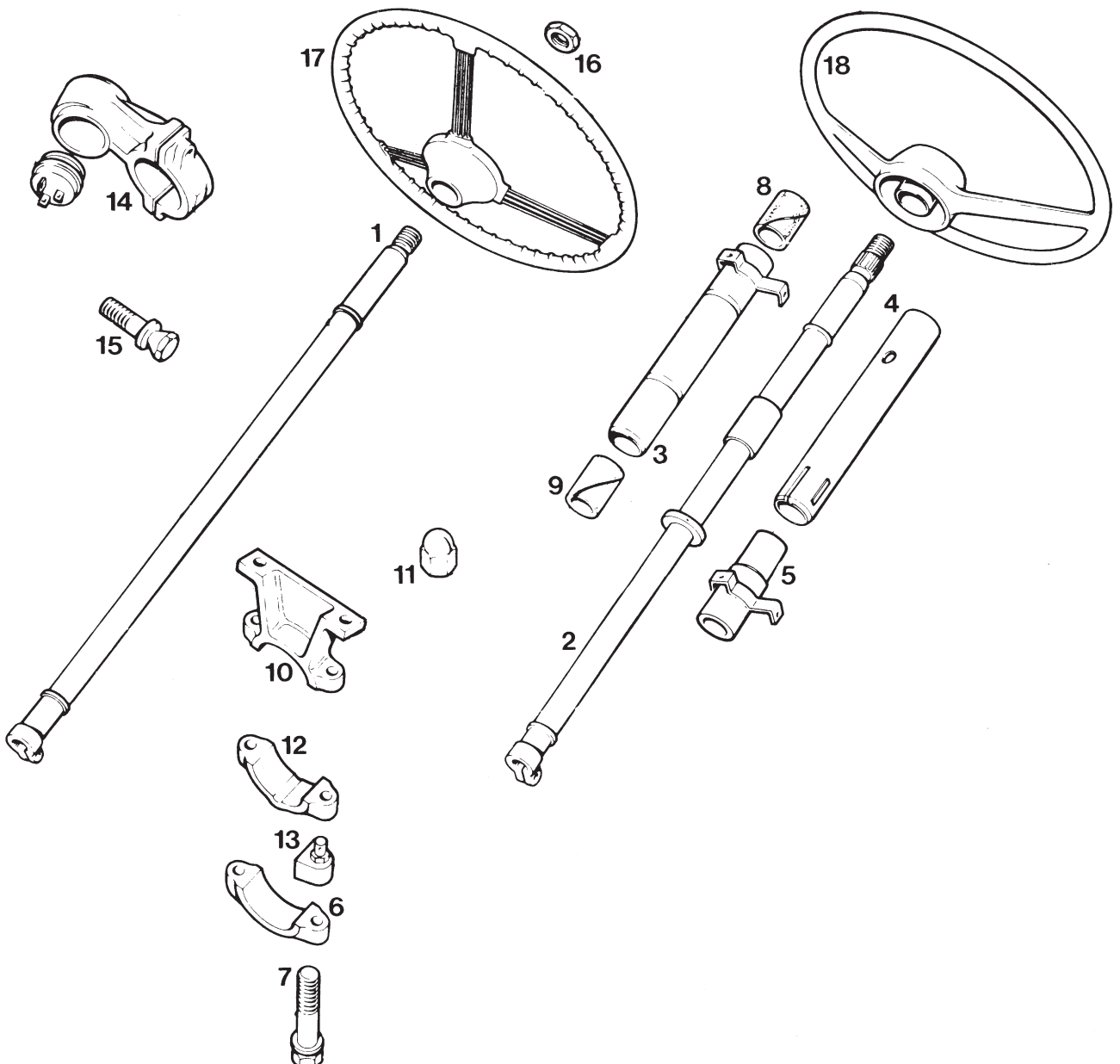


**Steering
front axle and
suspension**

5

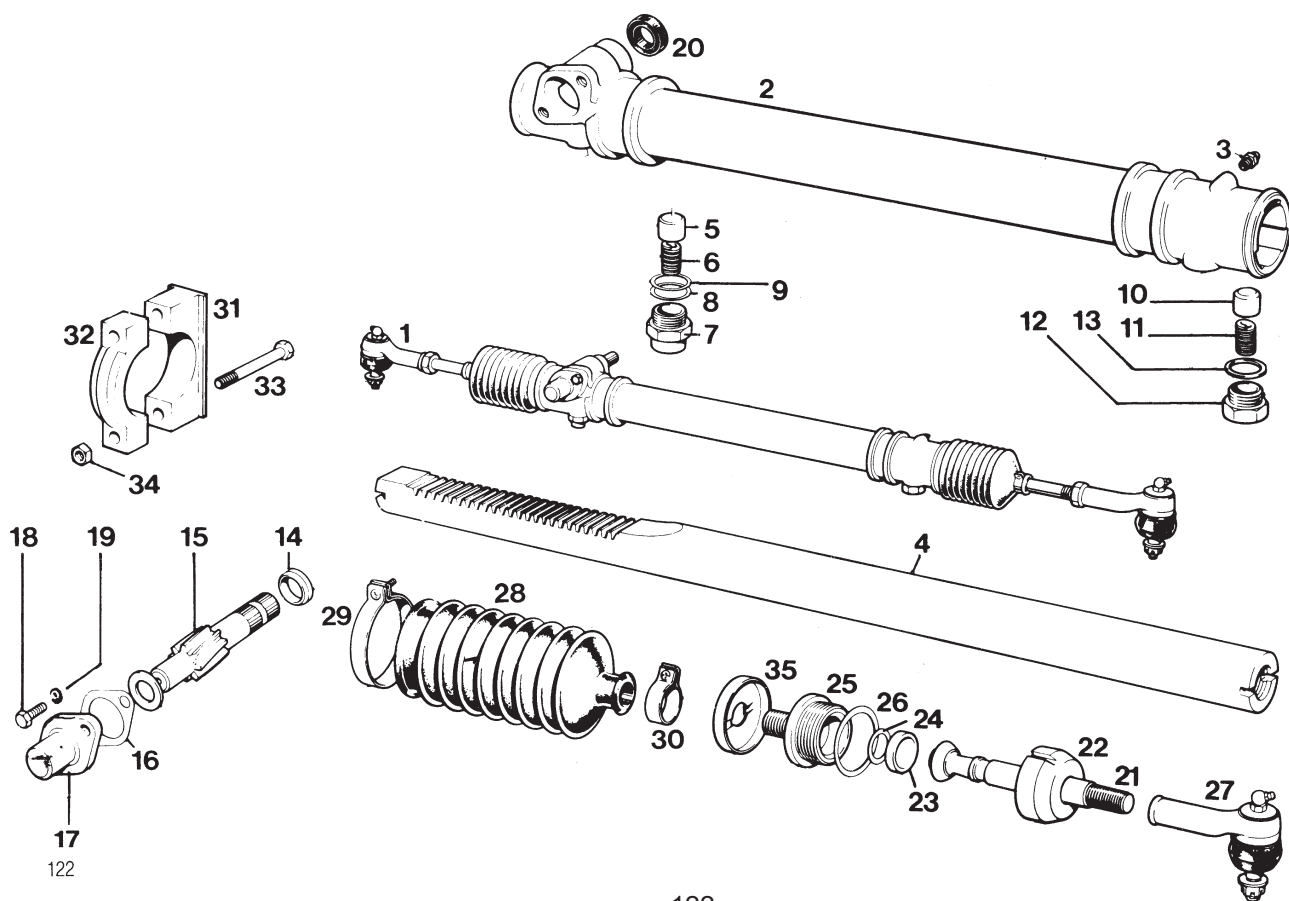
BLANK

Part Number	ESM Order Ref.	Illus. No.	Description	Remarks
Steering - all models				
STR301	STR301SH	1	Column - inner	803 948CC
STR302	STR302SH	1	Column - inner	1098CC
STR303	STR303SH	2	Column - inner	When lock fitted
STR304	STR304SH	3	Tube - outer	
STR305	STR305SH	4	Tube - outer	When lock fitted
STR306	STR306SH	5	Carrier - flasher switch	
STR307	STR307SH	6	Clamp - steering column bracket	
STR308	STR308	7	Screw - clamp - 1/4 UNF x 1.5"	
STR309	STR310	8	Bush (felt) - upper	
STR310	STR310	9	Bush (felt) - lower	
STR311	STR311SH	10	Bracket - column support	
STR312	STR312SH	11	Nut	
STR313	STR313SH	12	Clamp - bracket	
STR314	STR314SH	13	Plate - clamp to bracket	
STR315	SWH116	14	Lock assembly - with ignition switch - Waso	
STR316	STR316SH	15	Bolt - shear	When lock fitted
STR317	STR317	16	Nut - steering wheel	
STR318	STR318	17	Wheel - steering	
STR319	STR319SH	17	Wheel - steering	
STR320	STR320SH	18	Wheel - steering	

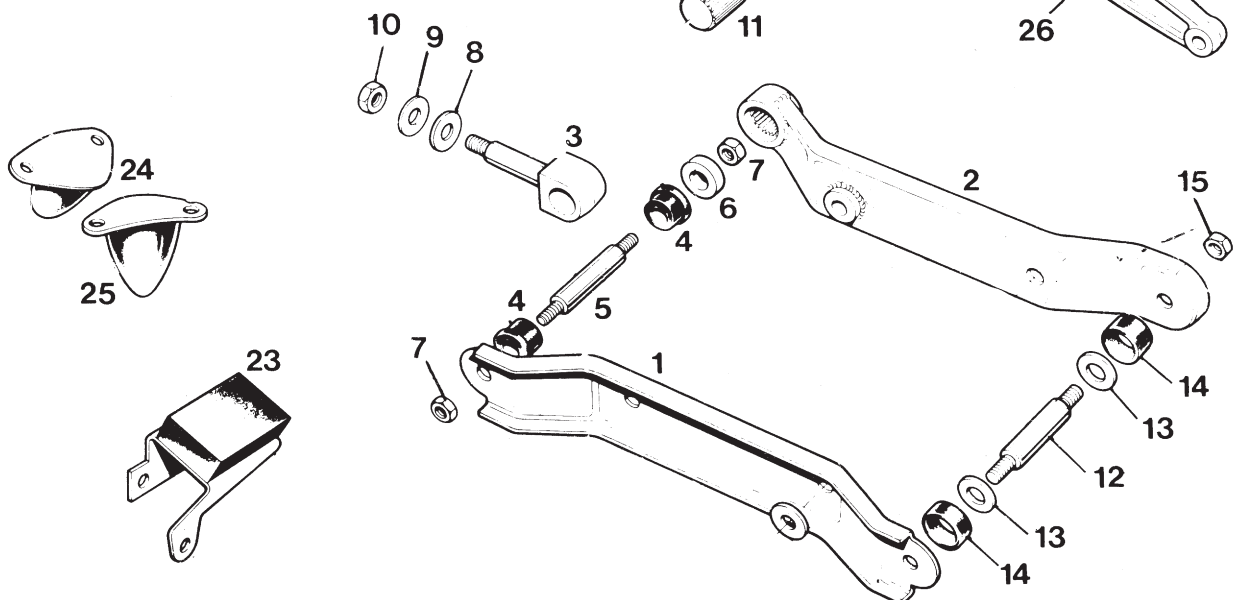
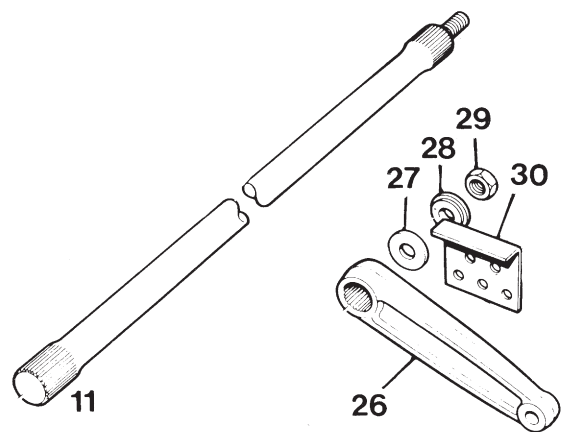
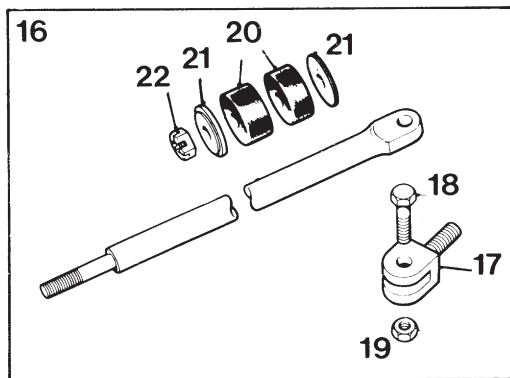


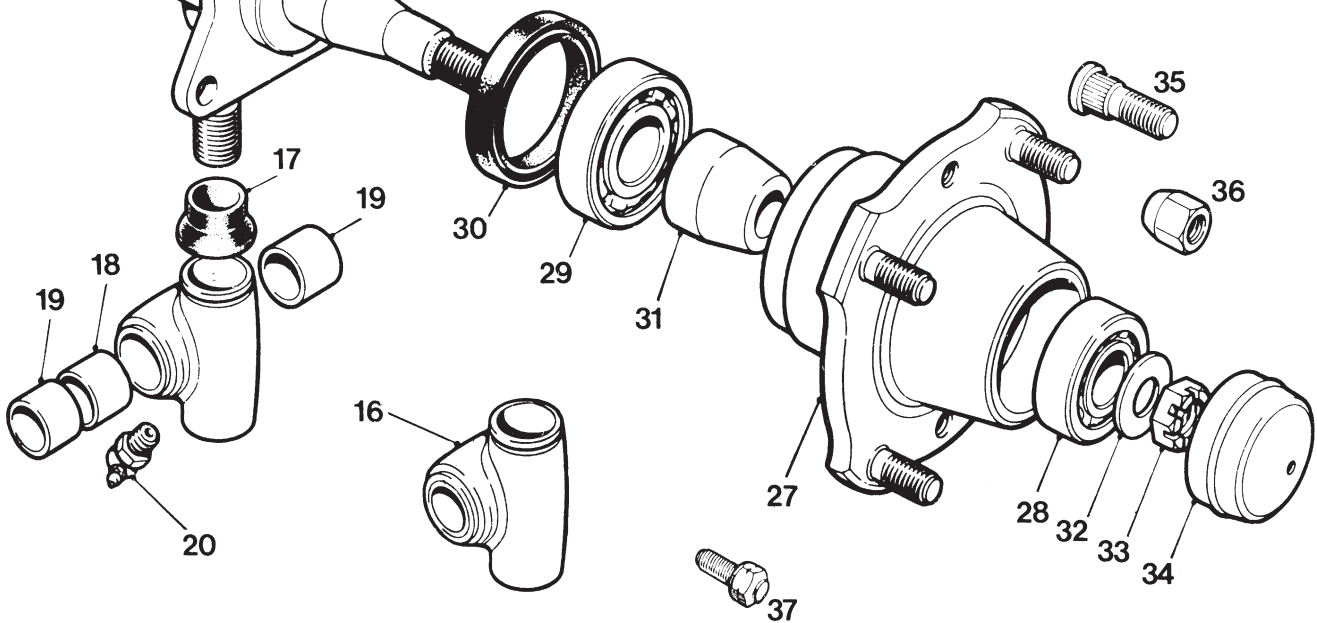
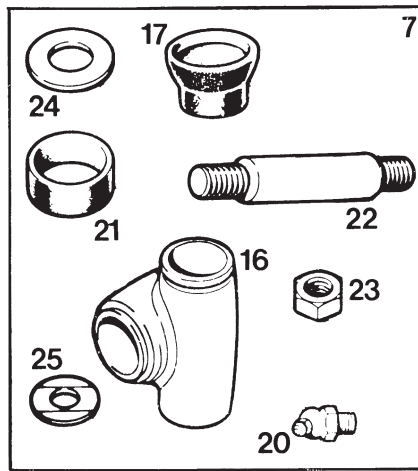
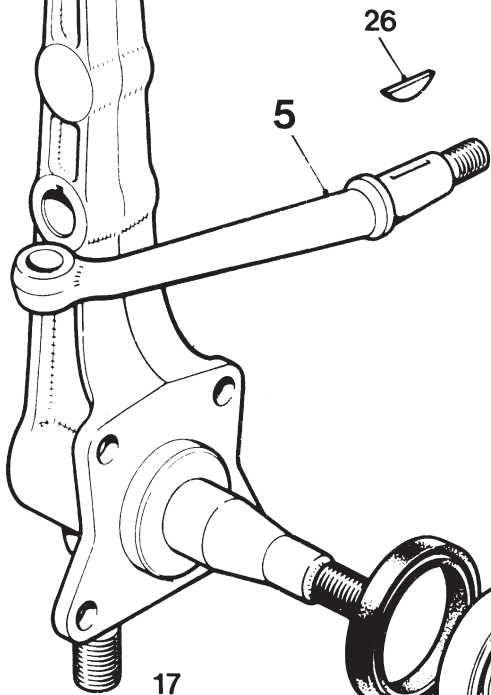
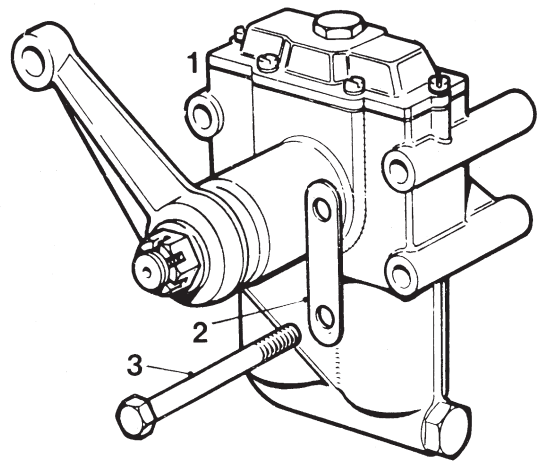
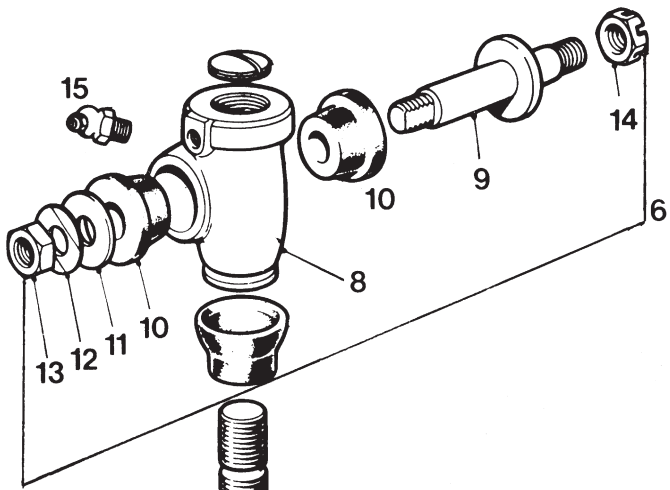
Part Number	ESM Order Ref.	Illus. No.	Description	Remarks
-------------	----------------	------------	-------------	---------

STR101	STR101	1	Front suspension Rack assembly - RHD	
STR102	STR102		Rack assembly - LHD	
STR105	SUS199	3	Grease nipple	
STR106	STR106SH	4	Rack	
STR107	STR107	5	Pad - damper	
STR108	STR108	6	Spring - pad	
STR109	STR109	7	Housing - pad	
STR110	STR110	8	Shim - housing - (.008" .076mm)	
STR111	STR111SH	9	Shim - pad - (.010" .254mm)	
STR112	STR112	10	Pad - secondary damper	
STR113	STR113	11	spring - pad	
STR114	STR114SH	12	Housing - pad	
STR115	STR115SH	13	Washer - joint - housing	
STR116	STR116	14	Washer - thrust - pinion - top	
STR117	STR117	15	Pinion - RHD	
STR118	STR118SH		Pinion - LHD	
STR119	STR119SH	16	Shim - tail bearing - 0.003" (0.076mm)	
STR120	STR120SH	16	Shim - tail bearing - 0.005" (0.127mm)	
STR121	STR121SH	16	Shim - tail bearing - 0.010" (0.254mm)	
STR122	STR122SH	17	Bearing - pinion tail	
STR123	FIX130A	18	Screw - bearing to rack housing - 1/4" BSF X 5/8"	
STR124	FIX156	19	Washer - spring - 1/4"	
STR125	STR125	20	Seal - pinion	
STR126	STR126SH	21	Tie-rod - to chassis no. 566384	
STR127	STR127SH	21	Tie-rod - chassis no. 566385 on	
STR128	STR128	22	Housing - ball - female - 566385 on	
STR129	STR129	23	Seat - ball	
STR130	STR130SH	24	Shim - ball seat - 0.003" (0.076mm)	
STR131	STR131SH	24	Shim - ball seat - 0.005" (0.127mm)	
STR132	STR132	25	Housing - ball - male	
STR133	STR133SH	26	Shim - ball housing - 0.002" (0.051mm)	
STR134	STR134SH	26	Shim - ball housing - 0.010" (0.254mm)	
STR135	STR135	27	Track rod end - to chassis no. 566384	
STR136	STR136	27	Track rod end - chassis no. 566385 on	
STR137	STR137	28	Gaitor	
STR138	STR138	29	Band clip - inner - 1.69" to 1.87"	
STR139	STR139	30	Band clip - outer - 3/4"	
STR140	STR140SH	31	Clamp - rack to toeboard	
STR141	STR141SH	32	Cap - rack clamp	
STR142	STR142SH	33	Bolt - clamp	
STR143	FIX131	34	Nut - 5/16" BSF	
STR144	STR144	35	Lock - male ball housing	
STR145	STR145	-	Locknut - track rod end - 9/16" BSF	
STR146	STR146	-	Locknut - track rod end - 5/8" UNF	
STR150	STR150	-	Dust seal - rubber - track rod end	
STR151	STR151	-	Circlip - dust seal - track rod end - large	
STR152	STR152	-	Circlip - dust seal - track rod end - small	



Part Number	ESM Order Ref.	Illus. No.	Description	Remarks
Front suspension				
SUS101	SUS101	1	Arm - lower - front	
SUS102	SUS102	2	Arm - lower - rear	
SUS103	SUS103	3	Eyebolt	
SUS104	SUS104	4	Bush - eyebolt - rubber	
SUS104P	SUS104A	4	Bush - eyebolt - polyurethane	
SUS105	SUS719	5	Pin - fulcrum - eyebolt to arm - 3/8" BSF	
SUS106	SUS106SH	6	Spigot - pivot - rear	
SUS107	FIX132	7	Nut - 3/8" BSF	
SUS108	SUS108SH	8	Washer - eyebolt - thick	
SUS109	SUS109SH	9	Washer - eyebolt - thin	
SUS110	FIX135	10	Nut - eyebolt - 9/16" BSF	
SUS111	SUS111	11	Bar - torsion	
SUS157	SUS157	12	Pin - fulcrum - link to arm	
SUS112	SUS112	13	Washer - thrust - fulcrum pin	
SUS113	SUS156	14	Ring - sealing - fulcrum pin	
SUS107	FIX132	15	Nut - 3/8" BSF	
SUS114	SUS114	16	Kit - tie rod	
SUS115	SUS115	17	Fork - tie rod to lower arm	
SUS116	FIX152	18	Bolt - tie rod to fork	
SUS117	FIX131	19	Nut - 5/16" BSF	
SUS118	SUS118	20	Bush - tie rod - rubber	
SUS118P	SUS118A	20	Bush - tie rod - polyurethane	
SUS119	SUS119	21	Washer - cup	
SUS120	FIX141	22	Nut - castle - 3/8" BSF	
SUS121	SUS121	23	Bracket - rebound check	
SUS122	SUS122	24	Bump stop - R/H	
SUS123	SUS123	25	Bump stop - L/H	
SUS124	SUS124	26	Lever - torsion bar	
SUS125	SUS125	27	Washer - retaining - lever - horseshoe type	
SUS126	SUS126	28	Washer - locating - lever	
SUS127	FIX134	28	Nut - torsion bar - 1/2" BSF	
SUS128	SUS128	28	Plate - adjuster	





Part Number	ESM Order Ref.	Illus. No.	Description	Remarks
Front suspension				
SUS129N	SUS129N	1	Absorber - Shock - R/H - New	
SUS129R	SUS129R	-	Absorber - Shock - R/H - Reconditioned	
SUS130N	SUS130N	-	Absorber - Shock - L/H - New	
SUS130R	SUS130R	-	Absorber - Shock - L/H - Reconditioned	
SUS131	SUS131	2	Plate - locking	
SUS132	SUS132	3	Bolt - absorber to crossmember	
SUS133	SUS133	4	Pin - swivel - R/H	
SUS134	SUS134	-	Pin - swivel - L/H	
SUS135	SUS135	5	Lever - steering - R/H	
SUS136	SUS136	-	Lever - steering - L/H	
SUS137	SUS137	6	Kit - trunnion - upper - R/H	
SUS138	SUS138	-	Kit - trunnion - upper - L/H	
SUS139	SUS139	7	Kit - trunnion - lower - R/H	
SUS140	SUS140	-	Kit - trunnion - lower - L/H	
SUS141	SUS141	8	Link - upper - R/H	
SUS142	SUS142	-	Link - upper - L/H	
SUS143	SUS143	9	Pivot - shock absorber arm	
SUS144	SUS144	10	Bush - upper link - rubber	
SUS144P	SUS144A	10	Bush - upper link - polyurethane	
SUS145	SUS145	11	Washer - pivot - rear	
SUS146	SUS146	12	Washer - tab - pivot - rear	
SUS147	FIX134A	14	Nut - pivot - front	
SUS148	FIX134	13	Nut - pivot - rear	
SUS149	SUS198	15	Lubricator - upper link	
SUS150	SUS150	16	Link - lower - R/H	
SUS151	SUS151	-	Link - lower - L/H	
SUS152	SUS152	17	Seal - rubber	
SUS153	SUS153SH	18	Tube - distance	
SUS154	SUS154SH	19	Bush	
SUS155	SUS198	20	Lubricator - lower link	
SUS156	SUS156	21	Ring - sealing	
SUS157	SUS157	22	Pin - fulcrum	
SUS158	FIX140	23	Nut - 3/8" UNF	
SUS159	SUS159	24	Washer - thrust	
SUS160	SUS145	25	Washer - tab - pivot	
SUS161	SUS161	26	Woodruff key	
SUS162	SUS162	27	Hub	
SUS163	Use SUS166	28	Bearing - outer	
SUS164	Use SUS166	29	Bearing - inner	
SUS165	SUS165	30	Oil seal	
SUS166	SUS166	-	Kit - bearing	
SUS167	SUS167	31	Spacer - bearing	
SUS168	SUS168	32	Washer - special	
SUS169	SUS169	33	Nut - right-hand thread - 5/8" UNF	
SUS170	SUS170	-	Nut - left-hand thread - 5/8" UNF	
SUS171	SUS171	34	Cap - grease retaining	
SUS175	SUS175	35	Stud - wheel nut	
SUS176	SUS176	36	Nut	
Early 803cc and Series MM				
SUS172	Use SV200	-	Bearing - outer - 5/8" bore	
SUS173	Use SV200	-	Bearing - inner - 7/8" bore	
-	SV200	-	Front wheel bearing kit (1950 - 1954)	
SUS165	SUS165	-	Oil seal	
SUS177	SV134	-	Hex bolt - wheel - 7/16" UNF	
SUS177A	SV133	-	Hex bolt - wheel - 7/16" BSF	

Part Number	ESM Order Ref.	Illus. No.	Description	Remarks
-------------	----------------	------------	-------------	---------

Front suspension

FBK101	FBK101	1	Plate - brake - 7" - R/H	
FBK102	FBK102	-	Plate - brake - 7" - L/H	
FBK103	FBK103	1	Plate - brake - 8" - R/H	
FBK104	FBK104	-	Plate - brake - 8" - L/H	
FBK105	FBK105	2	Brake cylinder - Lockheed - R/H	
FBK106	FBK106	-	Brake cylinder - Lockheed - L/H	
FBK105Z	FBK105A	2	Brake cylinder - non genuine - R/H	
FBK106Z	FBK106A	-	Brake cylinder - non genuine - L/H	
FBK122	FBK128	2	Brake cylinder - aluminium - early 803 - R/H	
FBK123	FBK129	-	Brake cylinder - aluminium - early 803 - L/H	
FBK107	FBK107	6	Kit - repair - cylinder (15/16" Lockheed only)	
FBK108	RBK113	3	Adjuster (7" drum)	
FBK109	RBK114	4	Mask for adjuster (7" drum)	
FBK110	FBK110	3	Adjuster (8" drum)	
FBK111	FBK111	4	Mask for adjuster (8" drum)	
FBK112	FBK112	5	Spring - pull-off - (7" drum)	
FBK113	FBK113	5	Spring - pull-off - (8" drum)	
FBK114	FBK114SH	7	Pin - steady - brake shoe	
FBK115	FBK115	8	Spring - steady pin	
FBK116	FBK116	9	Retainer - spring	
FBK117	FBK117	10	Nipple - bleed (UNF thread)	
RBK118	CBS175	-	Nipple - bleed (for FBK122/3 - BSF thread)	
FBK118	FBK118A	11	Screw - cylinder to back-plate - short	
FBK119	FBK119	-	Screw - cylinder to back-plate - long	
-	FIX151	12	Bolt & nut - back plate to king pin	
FBK120	FBK120	13	Kit - brake shoe (7" drum)	
FBK121	FBK121	13	Kit - brake shoe (8" drum)	
FBK124	RBK115	14	Drum - brake - 7"	
FBK125	FBK125	14	Drum - brake - 8"	
CMZ407	CMZ407	-	Screw - drum to hub	
AHH5514	AHH5514	-	Plug - drum - chrome	

